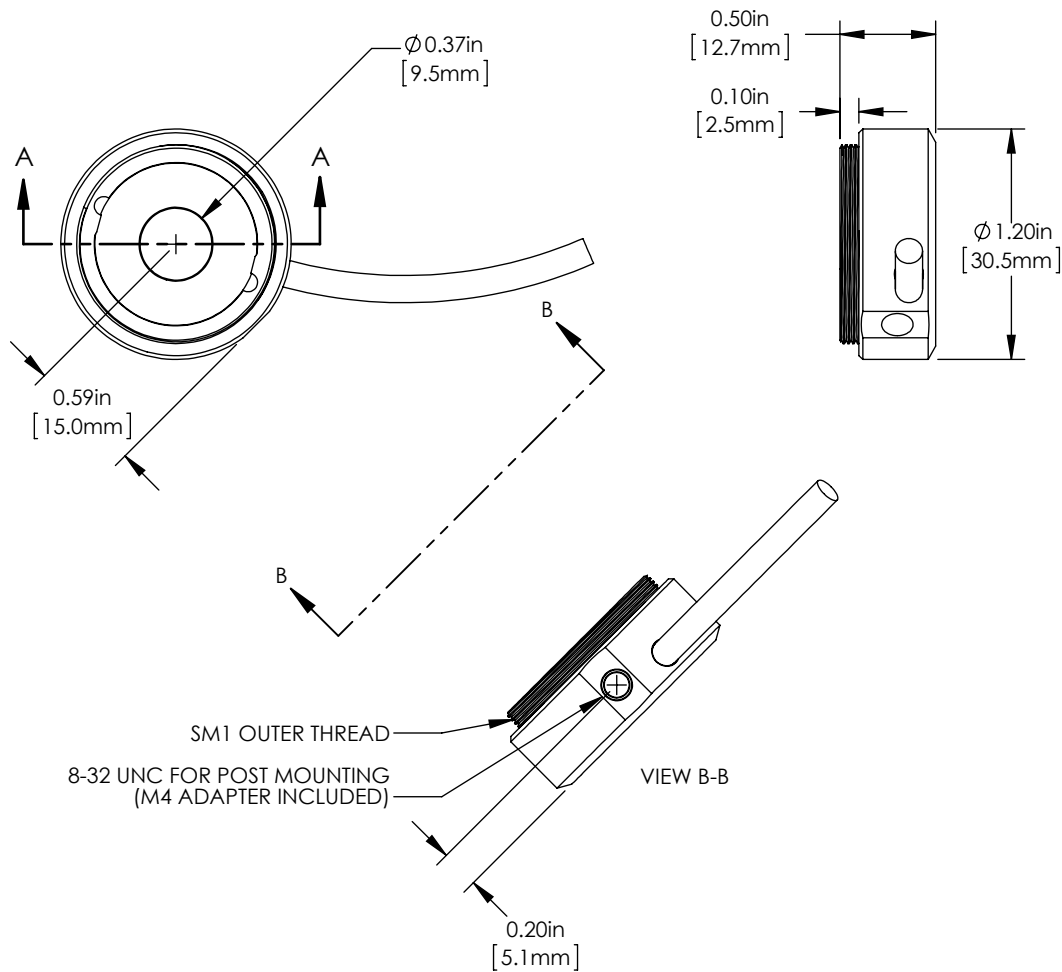


SECTION A-A



VIS/IR VIEWING TARGET
(TARGET IS REMOVEABLE)

60" (1.5M) CABLE TO
DB9 MALE CONNECTOR

SELF FIXING MECHANISM
SLIGHTLY PRESS FROM BOTH
SIDES FOR PLUGGING AND
UNPLUGGING

CONNECTOR PIN DIAGRAM

2	EEPROM DATA
3	PD ANODE & NTC GROUND
4	PD CATHODE
6	EEPROM GROUND
7	NTC
1,4,5,9	N.C.

FOR INFORMATION ONLY
NOT FOR MANUFACTURING PURPOSES

DRAWING PROJECTION

	NAME	DATE
DRAWN	GO	04/APR/13
APPROVAL	MG	08/APR/13

COPYRIGHT © 2013 BY THORLABS
VALUES IN PARENTHESIS ARE CALCULATED
AND MAY CONTAIN ROUND OFF ERRORS

THORLABS
www.thorlabs.com

GERMANIUM POWER HEAD

MATERIAL N/A REV B

ITEM # S122C APPROX WEIGHT 0.1 kg