



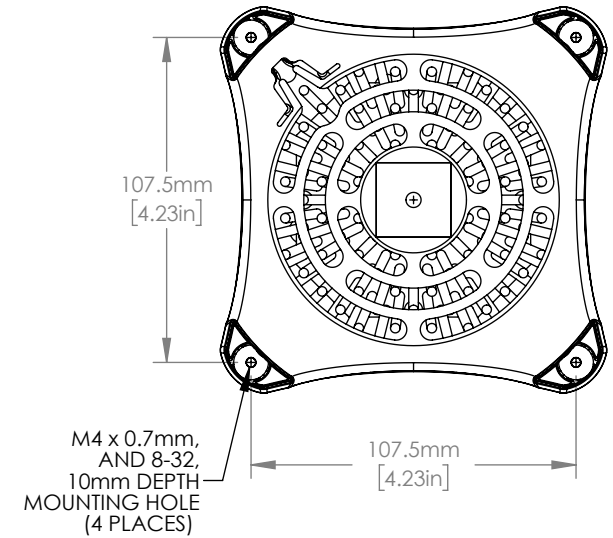
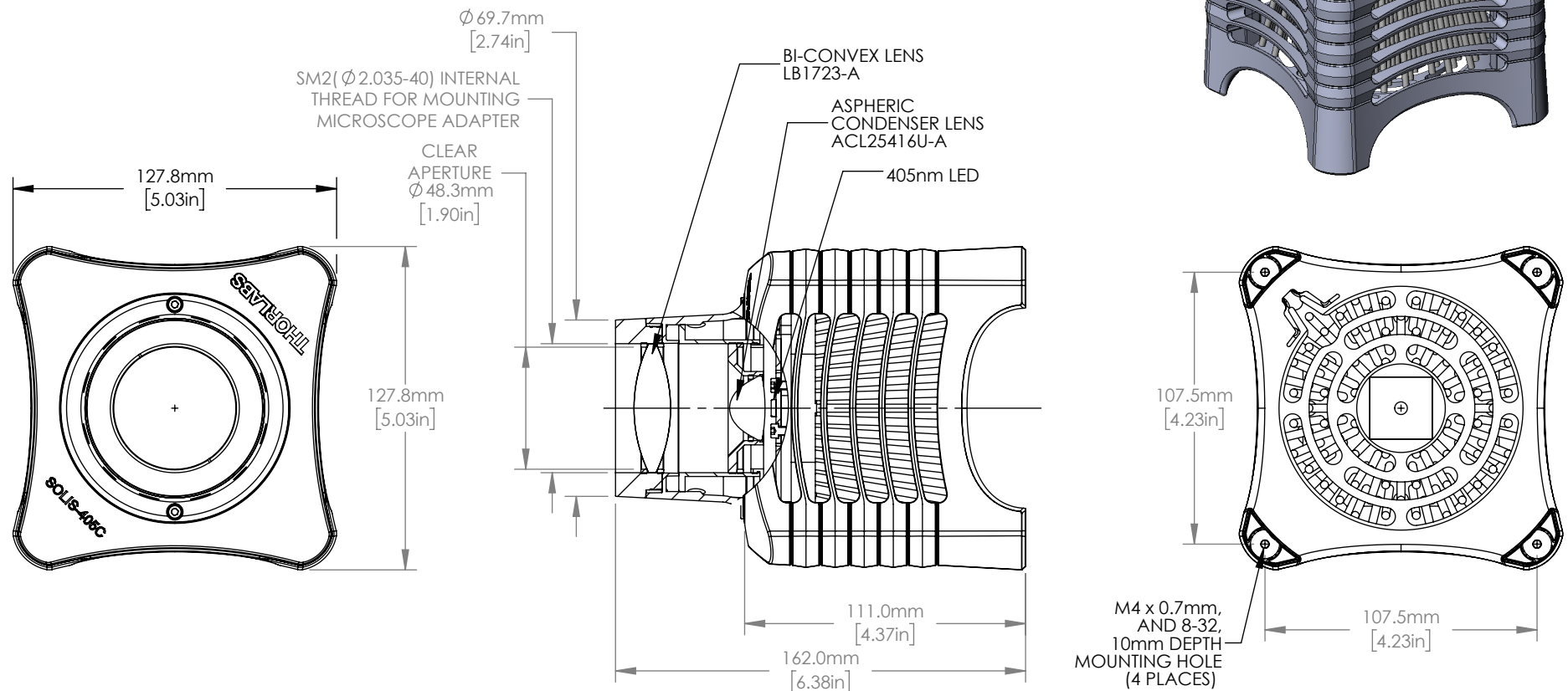
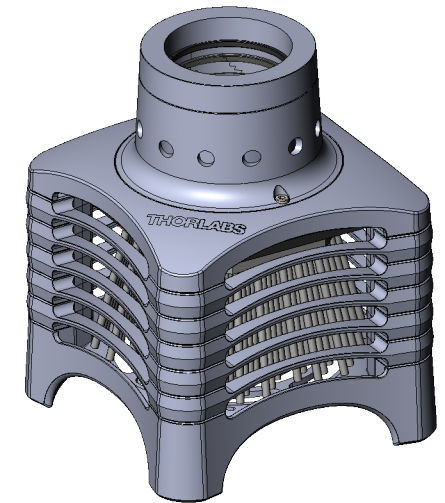
WARNING

UV LEDs

UV emitted from this product. Avoid eye and skin exposure to unshielded products.

VIS LEDs

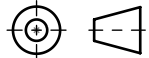
Possibly hazardous optical radiation emitted from this product. Do not look at operating lamp. Eye injury may result.



Item #	Color	Dominant Wavelength *	Minimum Collimated Power LED Output	Typical Collimated Power LED Output	Test Current for Typical LED Power	Maximum Current (CW)	Forward Voltage	Bandwidth (FWHM)	Typical Lifetime	Risk Group According to the IEC Standard 62471:2006 **
SOLIS-405C	UV	405 nm	3.9 W	5.0 W	4500 mA	4500 mA	4.0 V	14 nm	>40 000 h	RG3 - HIGH RISK GROUP

* The specifications listed in the table above are nominal values.
 ** Photobiological Safety of Lamps and Lamp Systems

FOR INFORMATION ONLY
 NOT FOR MANUFACTURING PURPOSES

DRAWING PROJECTION			THORLABS www.thorlabs.com HIGH POWER 405nm LED FOR MICROSCOPY ILLUMINATION	
NAME	DATE			
DRAWN	Hit.	22/AUG/16	MATERIAL N/A	
APPROVAL	KB	22/AUG/16		
COPYRIGHT © 2016 BY THORLABS			ITEM #	APPROX WEIGHT
VALUES IN PARENTHESIS ARE CALCULATED AND MAY CONTAIN ROUND OFF ERRORS			SOLIS-405C	1 kg