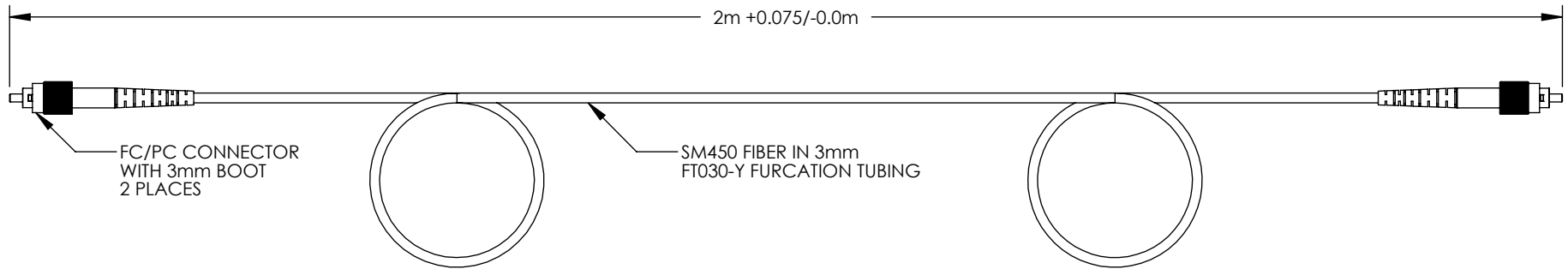


FIBER SPECIFICATIONS						
FIBER TYPE	OPERATING WAVELENGTH	CUTOFF WAVELENGTH	MODE FIELD DIAMETER	CLADDING DIAMETER	COATING DIAMETER	NA
SM450	488 - 633 nm	350 - 470 nm	2.8 - 4.1 μm @ 488 nm	125 \pm 1.0 μm	245 \pm 15 μm	0.10 - 0.14

*FIBER IS HAND SELECTED TO ENSURE HIGHER CUTOFF WAVELENGTH



FC/PC CONNECTOR
WITH 3mm BOOT
2 PLACES

SM450 FIBER IN 3mm
FT030-Y FURCATION TUBING

INCLUDED BUT NOT SHOWN:
• PROTECTIVE DUST CAP

FOR INFORMATION ONLY
NOT FOR MANUFACTURING PURPOSES

DRAWING PROJECTION			THORLABS www.thorlabs.com	
	NAME	DATE	2m, 460nm, FC/PC CABLE	
DRAWN	JW	24/JUN/13	MATERIAL	
APPROVAL	HC	10/FEB/15	N/A	
COPYRIGHT © 2015 BY THORLABS			ITEM #	APPROX WEIGHT
VALUES IN PARENTHESIS ARE CALCULATED AND MAY CONTAIN ROUND OFF ERRORS			P1-460B-FC-2	22.5 g
			REV	B