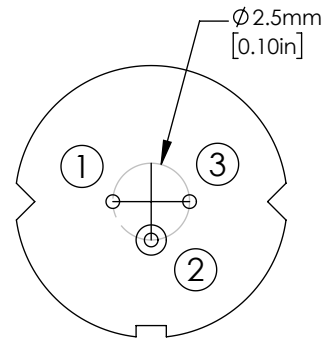
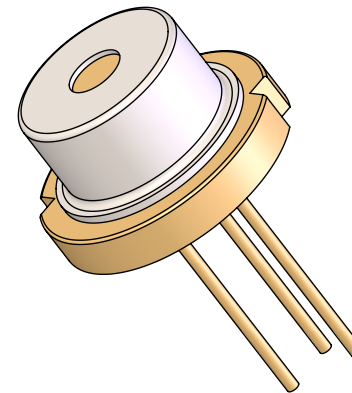
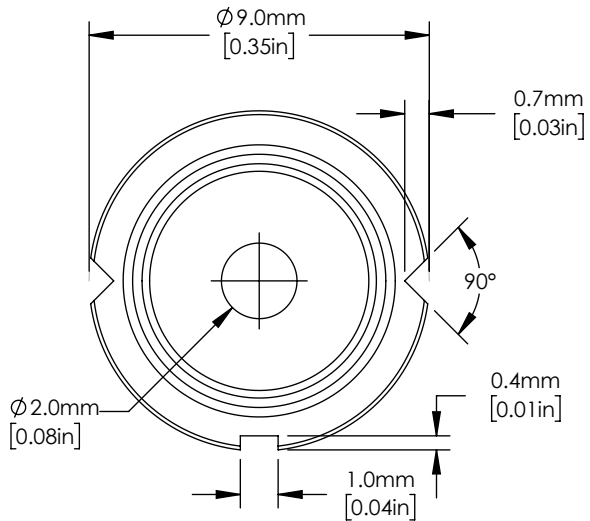
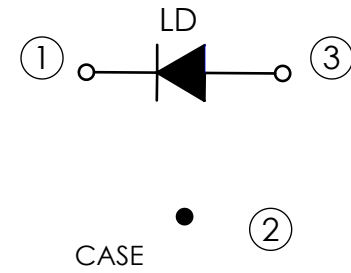


### Rear View



### PIN Code G



FOR INFORMATION ONLY  
NOT FOR MANUFACTURING PURPOSES

DRAWING PROJECTION			<b>THORLABS</b>	
NAME	DATE	405nm, 1000mW, MM Laser Diode		
DRAWN	YH	01/FEB/18	MATERIAL	
APPROVAL	ZH	02/FEB/18	N/A	
COPYRIGHT © 2018 BY THORLABS				
VALUES IN PARENTHESIS ARE CALCULATED AND MAY CONTAIN ROUND OFF ERRORS		ITEM #	L405G1	APPROX WEIGHT
				5g
			REV	A