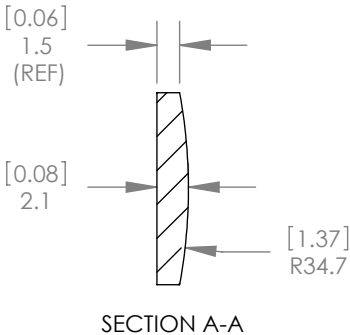
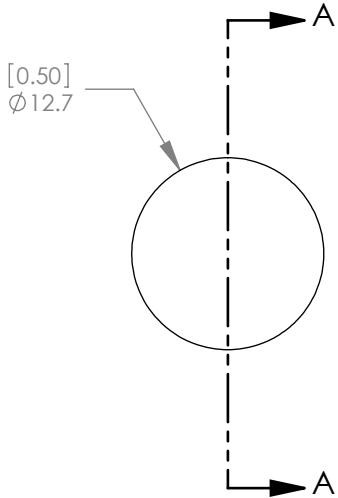




1:1 ISOMETRIC VIEW FOR REFERENCE ONLY



NOTES/SPECIFICATIONS:

1. DESIGN WAVELENGTH: 588nm
2. FOCAL LENGTH: 80.0mm ± 1%
3. BACK FOCAL LENGTH (REF): 78.6mm
4. CLEAR APERTURE: >90%
5. SURFACE QUALITY: 40-20 SCRATCH-DIG
6. CENTRATION: <3 arcmin
7. DIAMETER TOLERANCE: +0.0/-0.1mm
8. THICKNESS TOLERANCE: ± 0.1mm

ALL DIMENSIONS ARE IN THE FORM  $\frac{[in]}{mm}$   
 THIS DRAWING IS FOR INFORMATION ONLY  
 NOT INTENDED FOR MANUFACTURING

**THORLABS INC.** PO BOX 366  
 NEWTON NJ

	NAME	DATE
DRAWN	JC	7/28/2010
ENG APPR.	WD	08/25/2010
MFG APPR.	PM	08/26/2010

TITLE: CaF<sub>2</sub> Plano-Convex Lens, f = 80.00 mm,  
 DIA = 12.70 mm

MATERIAL: VACUUM GRADE CALCIUM FLUORIDE    SIZE A    REV. B

SCALE: 2:1    SHEET 1 OF 1

DWG. NO. 3326-E01    PART NO. LA5458