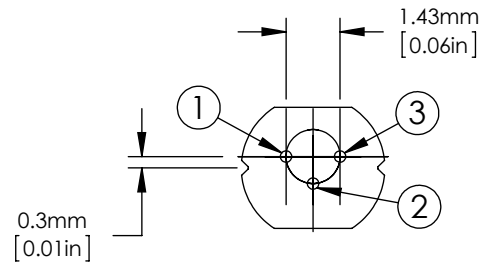
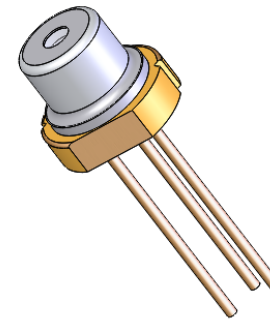
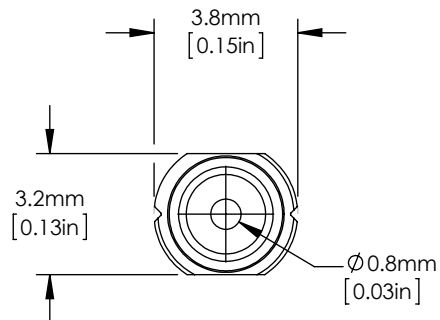
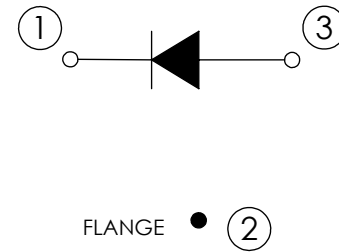



Rear View



PIN Code G



FOR INFORMATION ONLY
NOT FOR MANUFACTURING PURPOSES

DRAWING PROJECTION			 www.thorlabs.com	
	NAME	DATE		
DRAWN	YH	08/APR/14	PL450B LASER DIODE	
APPROVAL	DF	08/APR/14	MATERIAL	N/A
COPYRIGHT © 2014 BY THORLABS VALUES IN PARENTHESIS ARE CALCULATED AND MAY CONTAIN ROUND-OFF ERRORS			ITEM #	APPROX WEIGHT
			PL450B	0.14g
				REV A