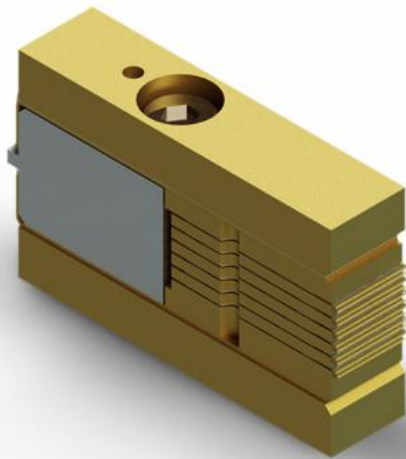


Micro Channel Cooled Vertical Stack
High Power Laser Diode Array



Features :

- ◆ Low Smile
- ◆ Long life time

Applications :

- ◆ Pumping
- ◆ Medical Use
- ◆ Scientific Research
- ◆ Material Processing

Optional:

- ◆ With SAC
- ◆ Protection window

BWT, founded in 2003, is committed to the mission of "let the dream drive the light", the vision of becoming the "Global leader in laser solutions", and the value of "Outstanding innovation", providing diode laser, fiber laser, ultra-fast laser products and solutions to global customers.

The company pursues continuous innovation and insists on autonomous and controllable advanced process and technology. With Beijing headquarters as the core, BWT has successively established production and R&D centers in Jiangsu, Shanghai and Shenzhen, and invested in the construction of intelligent and digital production base in Tianjin. In order to build the world's highest level of technical strength and product quality, BWT set up a German subsidiary in 2020, introducing European quality standards, and taking a solid step for the internationalization of R&D, production and technological innovation.

Up to now, BWT has traded more than 10 million lasers worldwide. BWT's products are available in more than 70 countries and regions, applications involving industry, medical, commercial, scientific research, information and many other fields.

Version number	Change content	Change date
00	First edition	2021.09.17

Micro Channel Cooled Vertical Stack

High Power Laser Diode Array

Specifications (25°C)		Unit	E2Y-808.3-600C- 1x6	E2Y-808.3-3000Q- 1x6	E2Y-940.3-3000Q- 1x6
Optical Data ⁽¹⁾	Working Mode	-	CW	QCW	QCW
	Central Wavelength	nm	808±3	808±3	940±3
	Output Power Per Bar	W/bar	100	500	500
	Bar Numbers	pcs	1~6	1~6	1~6
	Bandwidth(FWHM)	nm	< 5	< 5	< 5
	Fast Axis Divergence (95% power)	deg	60-70°	60-70°	60-70°
	Fast Axis Divergence with FAC (90% power)	mrad	≤8mrad	≤8mrad	≤8mrad
	Slow Axis Divergence (95% power)	deg	8-12°	8-12°	8-12°
Electrical Data	Threshold Current	A	≤20	≤40	≤40
	Operating Current	A	≤110	≤480	≤480
	Operating Voltage	V/bar	≤2	≤2	≤2
	Frequency	HZ	/	200-1000	200-1000
	Duty Cycle	%	/	≤10%	≤10%
	Slope	W/A	≥6.6	≥6.6	≥6.6
	Efficiency	%	≥50	≥50	≥50
Others	Pressure	bar	<5	<5	<5
	Flow Rate	L/min/bar	<0.33	<0.33	<0.33
	Cooling Water Temperature ⁽³⁾	°C	25	25	25
	Cooling Water Specification	/	Deionized water 2.5±0.5μS/cm,pH-value 5.5-8,filter≤5μm		
	Storage Temperature ⁽²⁾	°C	0-55	0-55	0-55

(1) Data measured under operation at nominal output power @25°C.

(2) A non-condensing environment is required for operation and storage.

(3) Operating temperature defined by the package case. Acceptable operating range is 20°C~30°C,but performance may vary.

(4) The data above are for reference only. For specific data, please refer to the delivery package data.

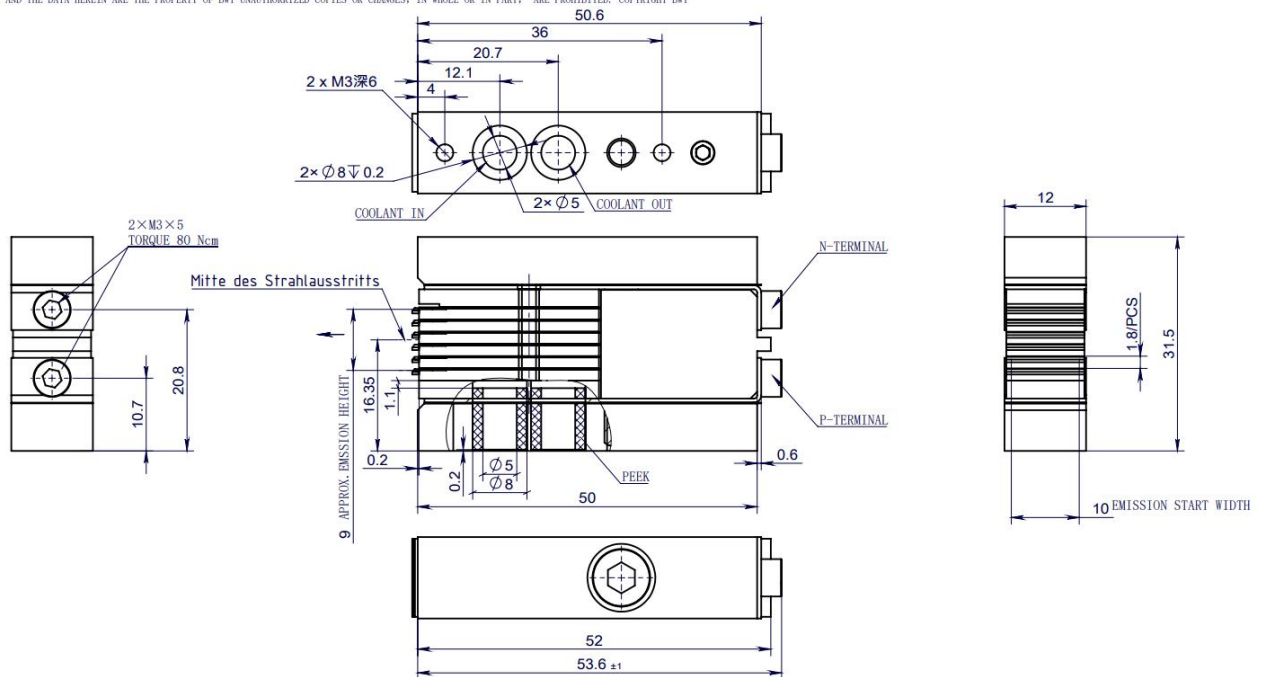
(5) Other wavelengths and configurations on customer request.

Micro Channel Cooled Vertical Stack

High Power Laser Diode Array

Package Dimensions (mm)

本文件及其体现的技术信息为凯普林光电科技股份有限公司所有，仅供预定收件人使用，未经书面授权，不得复制、修改及传播。
THIS DOCUMENT AND THE DATA HEREIN ARE THE PROPERTY OF BWT UNAUTHORIZED COPIES OR CHANGES, IN WHOLE OR IN PART, ARE PROHIBITED. COPYRIGHT BWT



OPERATING NOTES

- ◆ Avoid eye and skin exposure to direct radiation during operation.
- ◆ ESD precautions must be taken during storage, transportation and operation.
- ◆ Short-circuit is required between pins during storage and transportation.
- ◆ Use constant current power supply to avoid surge current during operation.
- ◆ Laser diode must be used according to the specifications.
- ◆ Laser diode must work with good cooling.
- ◆ Operation temperature ranges from 20°C to 30°C .
- ◆ Storage temperature ranges from 0°C to +55°C.



Declaration: information and specifications contained herein are deemed to be reliable and accurate. BWT Beijing reserves the right to change, alter or modify the design and specifications of these products at any time without notice.21-1.