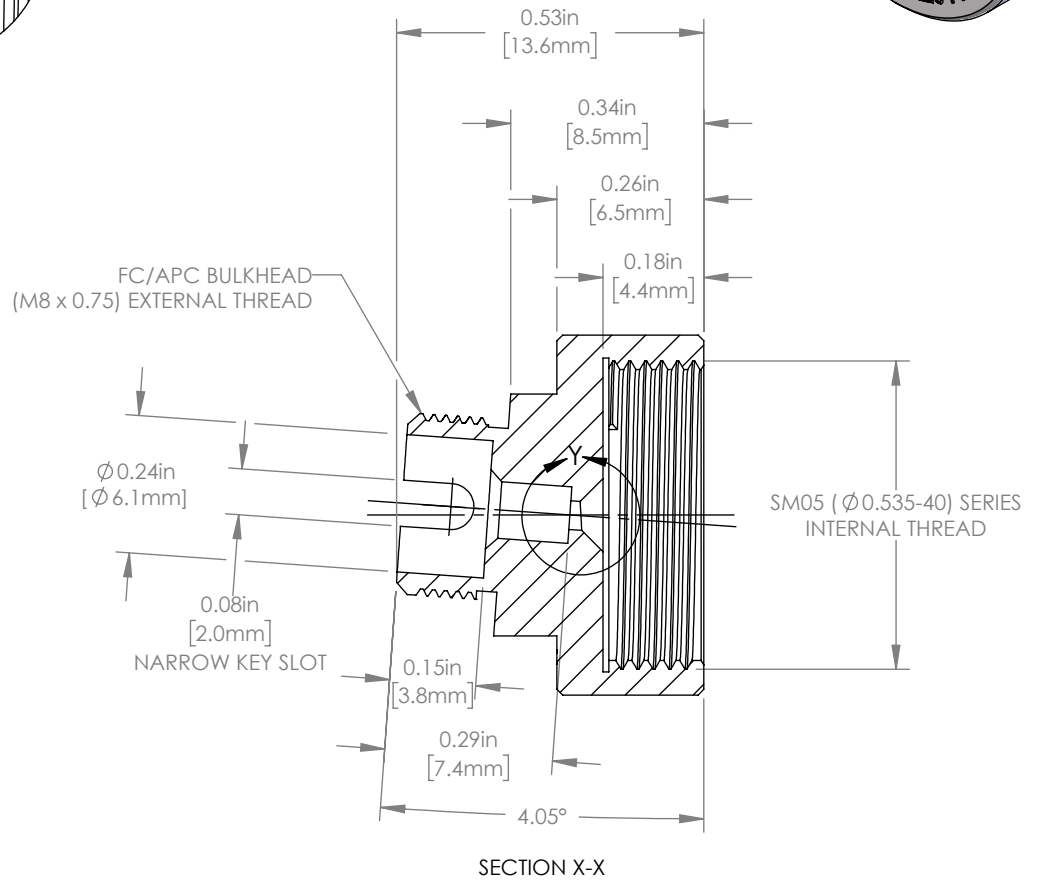
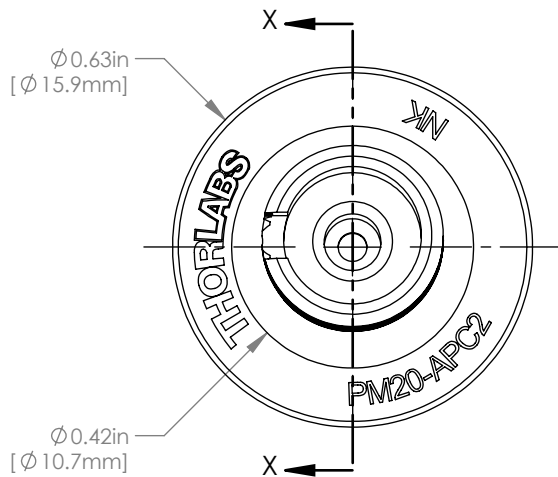
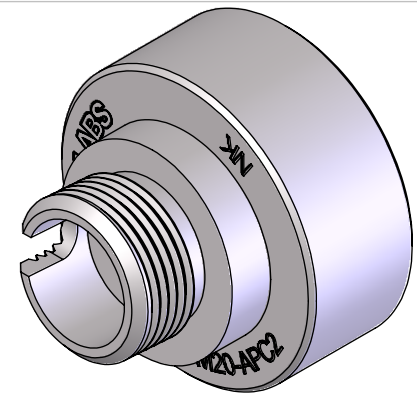


DETAIL Y
SCALE 6 : 1



INCLUDED BTU NOT SHOWN: PROTECTIVE DUST CAP

FOR INFORMATION ONLY
NOT FOR MANUFACTURING PURPOSES

DRAWING PROJECTION



	NAME	DATE
DRAWN	AK	11/JUN/20
APPROVAL	ZM	16/JUN/20

COPYRIGHT © 2020 BY THORLABS

VALUES IN PARENTHESIS ARE CALCULATED AND MAY CONTAIN ROUND OFF ERRORS

THORLABS

www.thorlabs.com

INTERNAL SM05 TO NARROW
KEY FC/APC FIBER ADAPTER

MATERIAL
STAINLESS STEEL

REV
A

ITEM #
PM20-APC2

APPROX WEIGHT
10 g