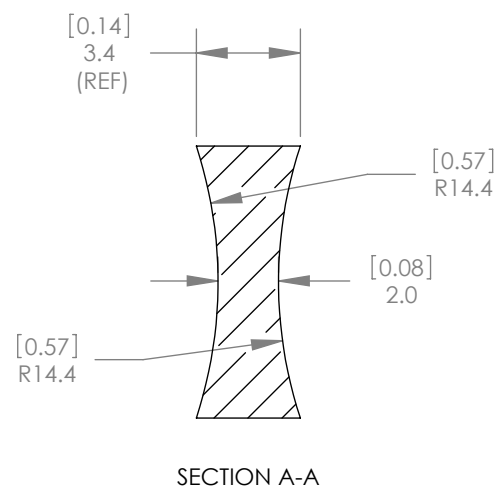
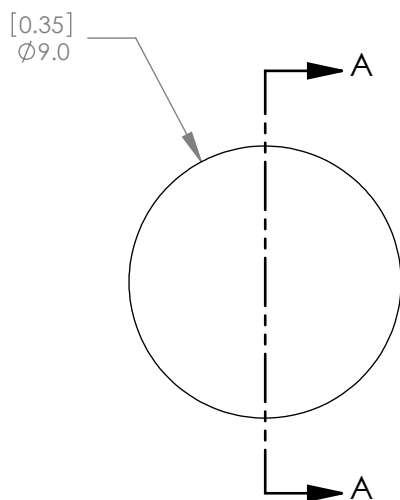




1:1 ISOMETRIC VIEW FOR REFERENCE ONLY



NOTES/SPECIFICATIONS:

1. DESIGN WAVELENGTH: 587.6nm
2. FOCAL LENGTH:  $f = -9.0\text{mm} \pm 1\%$
3. BACK FOCAL LENGTH(REF):  $bf = -9.5\text{mm}$
4. CLEAR APERTURE: >90%
5. SURFACE QUALITY: 40-20 SCRATCH-DIG
6. CENTRATION: <3arcmin
7. DIAMETER TOLERANCE: +0.0/-0.1mm
8. THICKNESS TOLERANCE:  $\pm 0.1\text{mm}$
9. COATING: BBAR  $R_{avg} < 0.5\%$  FROM 350nm-700nm,  $0^\circ$  AOI, ON OUTER OPTICAL SURFACES

ALL DIMENSIONS ARE IN THE FORM  $\frac{[in]}{mm}$   
THIS DRAWING IS FOR INFORMATION ONLY  
NOT INTENDED FOR MANUFACTURING

	NAME	DATE
DRAWN	BAG	12/14/2009
ENG APPR.	SG	12/22/2009
MFG APPR.	PM	12/23/2009

**PROPRIETARY AND CONFIDENTIAL**

THE INFORMATION CONTAINED IN THIS DRAWING IS THE SOLE PROPERTY OF THORLABS, INC. ANY REPRODUCTION IN PART OR AS A WHOLE WITHOUT THE WRITTEN PERMISSION OF THORLABS, INC. IS PROHIBITED.

**THORLABS INC.** PO BOX 366  
NEWTON NJ

TITLE: D= 9.0 f= -9.0 N-SF11 A  
COAT BI CONCAVE LENS

MATERIAL: N-SF11 SIZE A REV. B

SCALE: 4:1 SHEET 1 OF 1

DWG. NO. 5461-E01 PART NO. LD2568-A