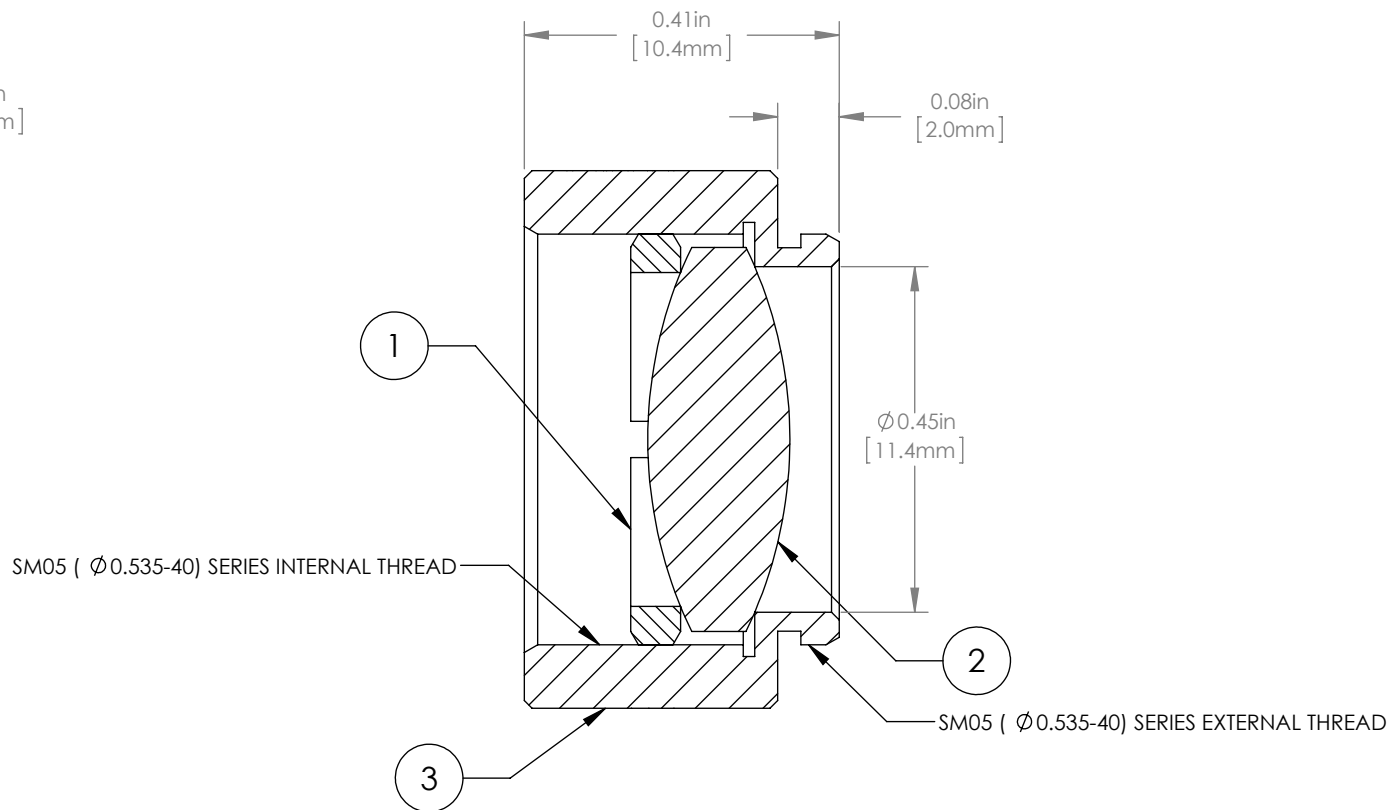
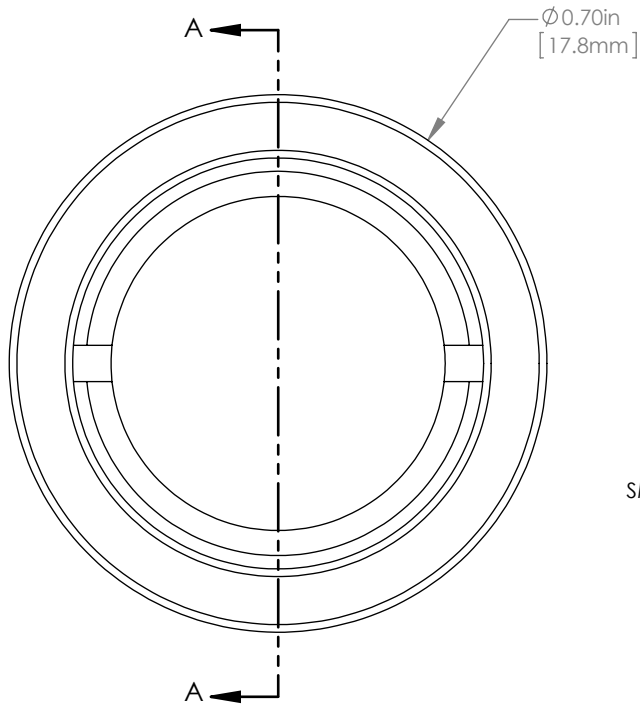
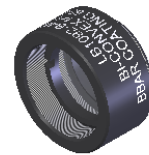


	PART DESCRIPTION	MATERIAL
①	SM05RR	ANODIZED ALUMINUM
②	LB1092-B	N-BK7
③	ENGRAVED HOUSING	ANODIZED ALUMINUM



NOTES/SPECIFICATIONS:

- DESIGN WAVELENGTH: 633nm
- FOCAL LENGTH: $f=15.0\text{mm} \pm 1\%$
- WORKING DISTANCE (REF): 11.8mm
- CLEAR APERTURE: $> \phi 11.04\text{mm}$
- SURFACE QUALITY: 40-20 SCRATCH-DIG
- COATING: BBAR $R_{\text{avg}} < 0.5\%$ FROM 650-1050nm, AOI: 0° , ON OUTER OPTICAL SURFACES

FOR INFORMATION ONLY
NOT FOR MANUFACTURING PURPOSES

DRAWING PROJECTION					
	NAME		DATE	THORLABS www.thorlabs.com $\phi 1/2$ " MOUNTED BI-CONVEX LENS, $f=15\text{mm}$, -B COAT	
DRAWN	GG		28/AUG/15		
APPROVAL	DD		28/AUG/15		
COPYRIGHT © 2015 BY THORLABS				MATERIAL	SEE TABLE
VALUES IN PARENTHESIS ARE CALCULATED AND MAY CONTAIN ROUND OFF ERRORS				ITEM #	APPROX WEIGHT
				LB1092-B-ML	5 g
				REV	A