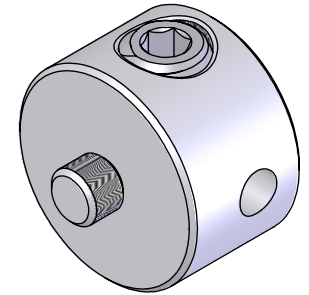
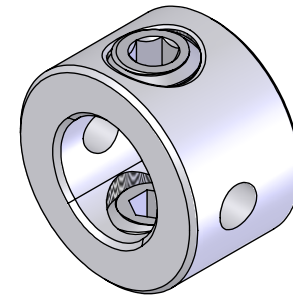
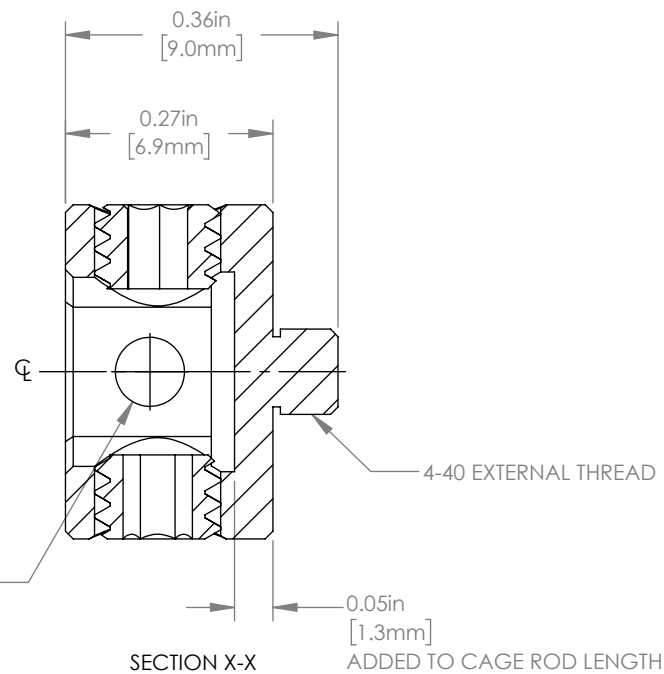


$\phi 0.09\text{in}$ [$\phi 2.3\text{mm}$]
THRU HOLE
TO HELP TIGHTEN AND LOOSEN ADAPTER



FOR INFORMATION ONLY
NOT FOR MANUFACTURING PURPOSES

DRAWING PROJECTION



	NAME	DATE
DRAWN	AK	16/APR/19
APPROVAL	ZM	24/APR/19

COPYRIGHT © 2019 BY THORLABS

VALUES IN PARENTHESIS ARE CALCULATED AND MAY CONTAIN ROUND OFF ERRORS

THORLABS
www.thorlabs.com

ER ROD ADAPTER, 4 PACK

MATERIAL STAINLESS STEEL

REV B

ITEM # ERSCB-P4 APPROX WEIGHT 4.5 g