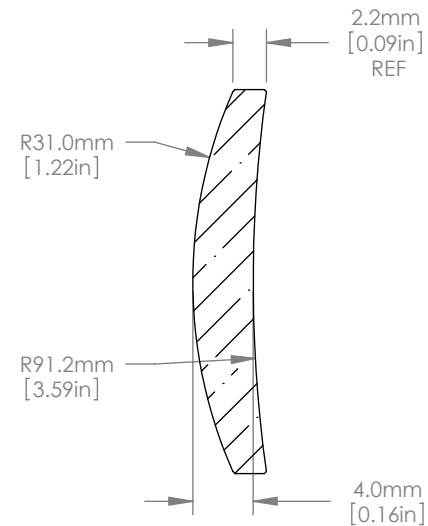
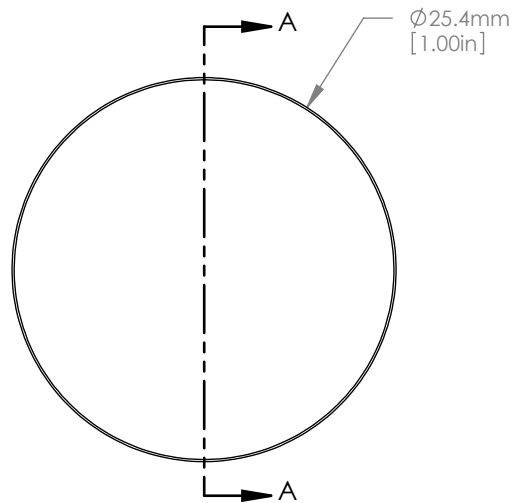




Scale 1:1



NOTES/SPECIFICATIONS:

1. DESIGN WAVELENGTH: 588nm
2. FOCAL LENGTH:  $f=100.0\text{mm} \pm 1\%$
3. BACK FOCAL LENGTH(REF):  $bf=95.9\text{mm}$
4. CLEAR APERTURE:  $>90\%$
5. SURFACE QUALITY: 40-20 SCRATCH-DIG
6. CENTRATION:  $\leq 3\text{arcmin}$
7. DIAMETER TOLERANCE:  $+0.0/-0.1\text{mm}$
8. THICKNESS TOLERANCE:  $\pm 0.1\text{mm}$

FOR INFORMATION ONLY  
NOT FOR MANUFACTURING PURPOSES

DRAWING PROJECTION			<b>THORLABS</b> <a href="http://www.thorlabs.com">www.thorlabs.com</a> D=25.4 F=100.0mm UVFS POSITIVE MENISCUS LENS	
	NAME	DATE		
DRAWN	GG	18/NOV/10	MATERIAL <b>UV GRADE FUSED SILICA</b>	
APPROVAL	JC	13/DEC/10		
COPYRIGHT © 2010 BY THORLABS			ITEM #	APPROX WEIGHT
VALUES IN PARENTHESIS ARE CALCULATED AND MAY CONTAIN ROUND OFF ERRORS			LE4173	0.02 kg
			REV	B