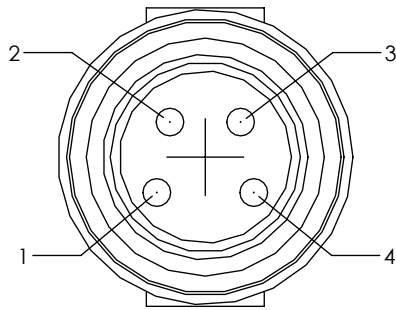


PIN ASSIGNMENT M8 PLUG
VIEW MALE SIDE
SCALE: 4:1



PIN	COLOR	PIN ASSIGNMENT
1	BROWN	LED (+) ANODE
2	WHITE	LED (-) CATHODE
3	BLACK	EEPROM GND
4	BLUE	EEPROM I/O

FOR INFORMATION ONLY
NOT FOR MANUFACTURING PURPOSES

DRAWING PROJECTION			THORLABS www.thorlabs.com		
	NAME	DATE	CAB-LEDD1		
DRAWN	Hit.	20/JAN/16			
APPROVAL	KB	20/JAN/16	MATERIAL	N/A	REV A
COPYRIGHT © 2016 BY THORLABS			ITEM #	APPROX WEIGHT	
VALUES IN PARENTHESIS ARE CALCULATED AND MAY CONTAIN ROUND OFF ERRORS			CAB-LEDD1	0.06 kg	