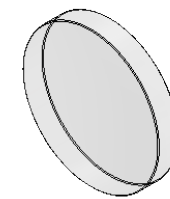


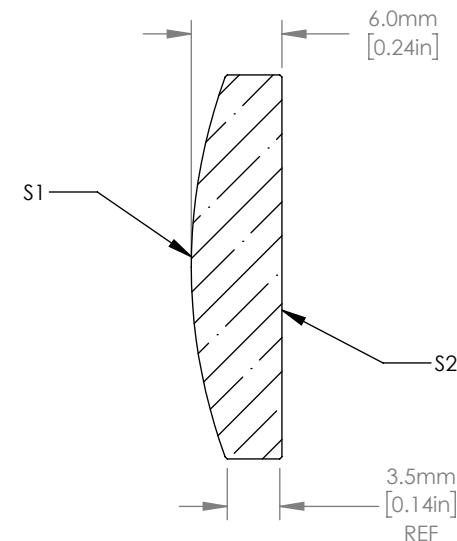
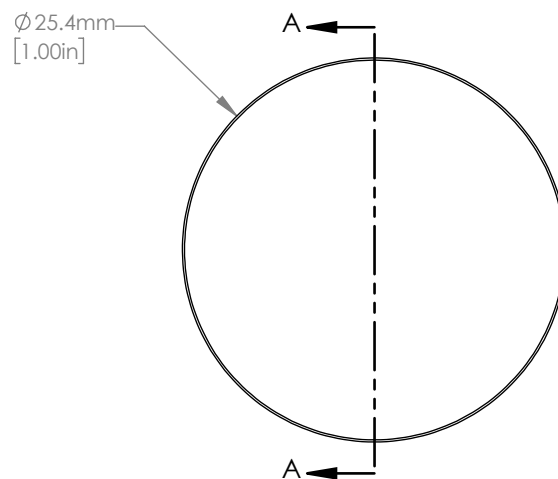
	R	k	A <sub>4</sub>
S1	35.8256	-0.6291	1.4398E-7
S2	PLANO	-	-



1:1 ISOMETRIC VIEW FOR REFERENCE ONLY

$$z = \frac{Y^2}{R(1 + \sqrt{1 - (1 + k)Y^2 / R^2})} + A_4 Y^4$$

Y(mm)	SAG (mm)
0	0
1.27	2.251341E-2
2.54	9.00896E-2
3.81	2.02837E-1
5.08	3.60936E-1
6.35	5.64643E-1
7.62	8.14288E-1
8.89	1.11028
10.16	1.45311
11.43	1.84334
12.70	2.28165



SECTION A-A

NOTES/SPECIFICATIONS:

- DESIGN WAVELENGTH: 780nm
- FOCAL LENGTH: EFL=79.0mm ±0.5%
- NUMERICAL APERTURE: 0.143
- REFRACTIVE INDEX: 1.459
- CLEAR APERTURE: >90% of DIAMETER
- WORKING DISTANCE (REF): 74.84mm
- SURFACE QUALITY: 20-10 SCRATCH-DIG
- RMS WAVEFRONT ERROR: DIFFRACTION LIMITED AT DISCRETE WAVELENGTHS FROM 250-2325nm
- RADIUS OF CURVATURE TOLERANCE (S1): ±0.1%
- SAG DEVIATION (POWER)(S1): ±2.0µm
- RMS IRREGULARITY (S1): <1 FRINGE
- PV FLATNESS (S2): <λ/10
- CENTRATION: <3arcmin

FOR INFORMATION ONLY  
NOT FOR MANUFACTURING PURPOSES

DRAWING PROJECTION			<b>THORLABS</b> www.thorlabs.com	
NAME	DATE	1" ASPHERIC LENS, NA=0.143, f=79.0mm, DW=780nm, Uncoated		
DRAWN	10/JAN/14	MATERIAL	UV FUSED SILICA	REV B
APPROVAL	20/JAN/14	ITEM # ASL10142		APPROX WEIGHT 0.008 kg
COPYRIGHT © 2013 BY THORLABS		VALUES IN PARENTHESIS ARE CALCULATED AND MAY CONTAIN ROUND OFF ERRORS		