

MOTORIZED ACTUATOR (#Z812B)  
 12.0mm (0.47in) TRAVEL  
 Ø 15.0mm [0.59in] HOUSING  
 Ø 9.5mm [0.38] BARREL  
 3 PLACES (INCLUDED)

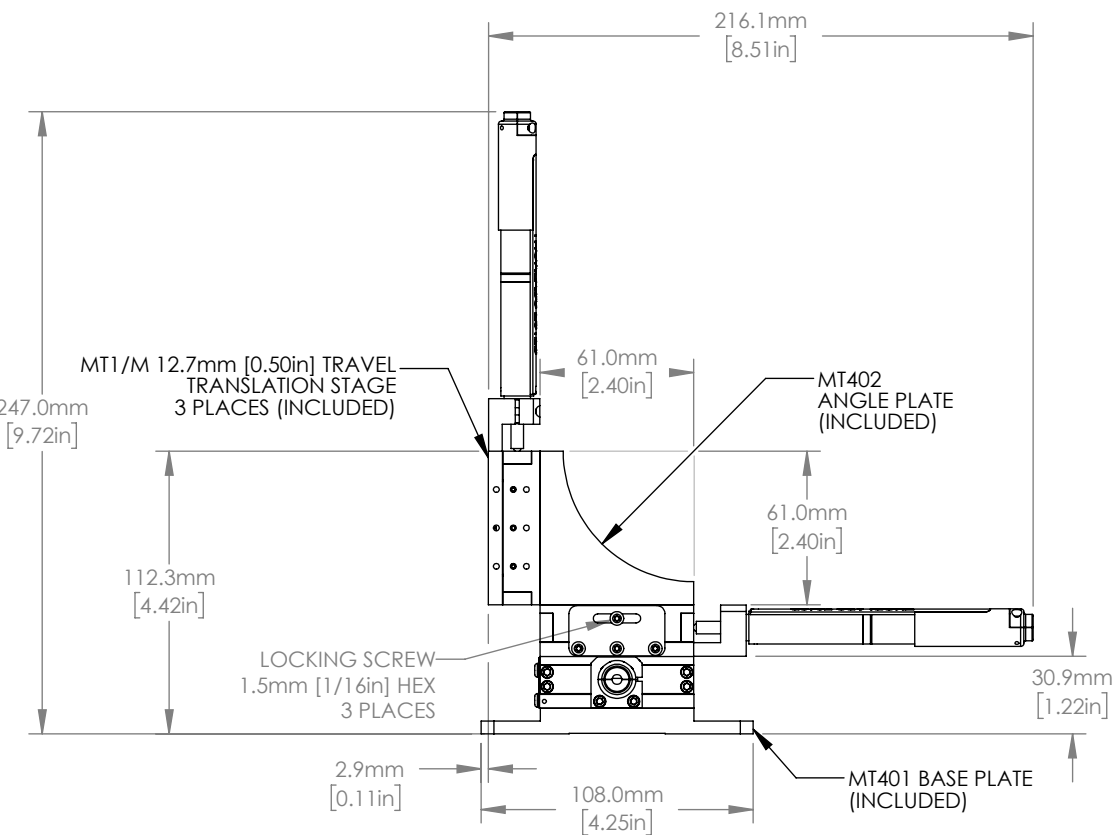
CLEARANCE SLOT FOR USE WITH  
 M6 [1/4in] CAP SCREWS  
 4 PLACES

NOTES:

(4) Ø 1/8in X 1/4in DOWEL PINS INCLUDED  
 WITH PURCHASE

REFER TO MT1/M-Z8 ENGINEERING SUPPORT DRAWING  
 FOR MT1/M-Z8 MOUNTING HOLE SPECIFICATIONS

CABLE LENGTH 0.50m [1.6ft]



MT1/M 12.7mm [0.50in] TRAVEL  
 TRANSLATION STAGE  
 3 PLACES (INCLUDED)

MT402  
 ANGLE PLATE  
 (INCLUDED)

LOCKING SCREW  
 1.5mm [1/16in] HEX  
 3 PLACES

MT401 BASE PLATE  
 (INCLUDED)

FOR INFORMATION ONLY  
 NOT FOR MANUFACTURING PURPOSES

DRAWING PROJECTION



	NAME	DATE
REDRAWN	TLB	30/MAR/12
APPROVAL	SS	23/MAR/09

COPYRIGHT © 2012 BY THORLABS  
 VALUES IN PARENTHESIS ARE CALCULATED  
 AND MAY CONTAIN ROUND OFF ERRORS

**THORLABS**

www.thorlabs.com

METRIC MOTORIZED  
 XYZ TRANSLATION STAGE

MATERIAL	N/A	REV D
----------	-----	----------

ITEM #	MT3/M-Z8	APPROX WEIGHT	1.19 kg
--------	----------	---------------	---------