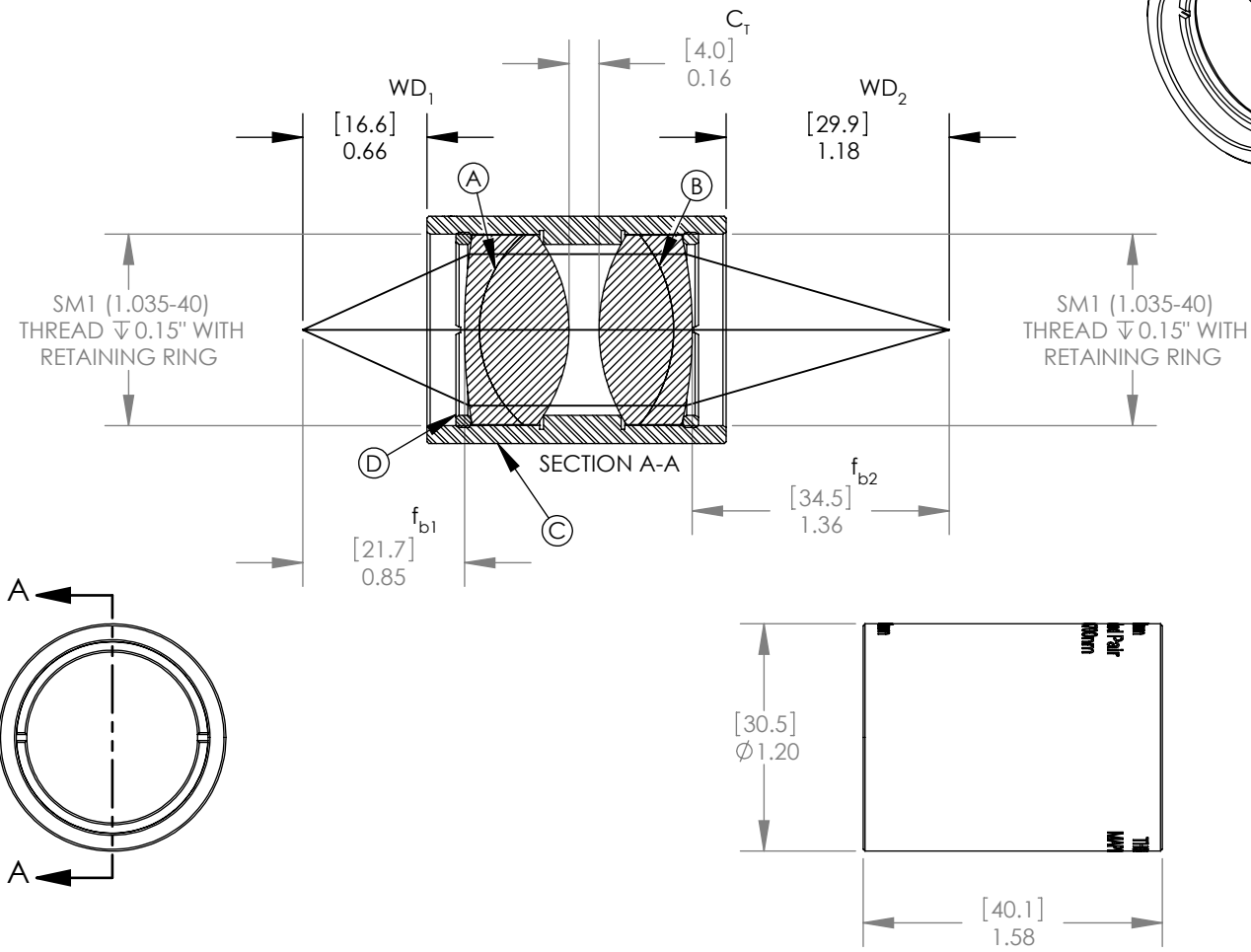
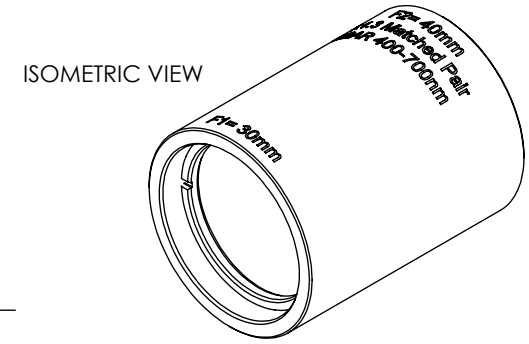


	ITEM	THORLABS P/N	MATERIAL
(A)	DOUBLET 1	AC254-030-A	N-BAF10 & SF6HT
(B)	DOUBLET 2	AC254-040-A	N-BK7 & SF5
(C)	HOUSING	-	BLACK ANODIZED 6061-T6 ALUMINUM
(D)	RETAINING RING	SM1RR	BLACK ANODIZED 6061-T6 ALUMINUM



NOTES/SPECIFICATIONS:

1. FOCAL LENGTH: $f_1 = 40.0\text{mm}$ $f_2 = 30.0\text{mm}$
2. MAGNIFICATION: 1:1.33
3. CLEAR APERTURE: > 90% OF LENS DIAMETER ($\phi 25.4\text{mm}$)
4. DESIGN WAVELENGTHS: 486.1nm, 587.6nm, 656.3nm
5. AR COATING: BBAR Ravg < 0.5% FROM 400 - 700nm

DIMENSIONS ARE IN mm
 THIS DRAWING IS FOR INFORMATION ONLY
 NOT INTENDED FOR MANUFACTURING

	NAME	DATE
DRAWN	BAG	11/24/2009
ENG APPR.	SFG	12/14/2009
MFG APPR.	PM	12/14/2009

PROPRIETARY AND CONFIDENTIAL
 THE INFORMATION CONTAINED IN THIS DRAWING IS THE SOLE PROPERTY OF THORLABS, INC. ANY REPRODUCTION IN PART OR AS A WHOLE WITHOUT THE WRITTEN PERMISSION OF THORLABS, INC. IS PROHIBITED.

THORLABS INC. PO BOX 366
 NEWTON NJ

TITLE: 1:1.33 MATCHED ACHROMATIC PAIR
 $f_1 = 40.0\text{mm}$ $f_2 = 30.0\text{mm}$

MATERIAL: SEE TABLE SIZE A REV. D

SCALE: 1:1 SHEET 1 OF 1

DWG. NO. 20570-E01 PART NO. MAP103040-A