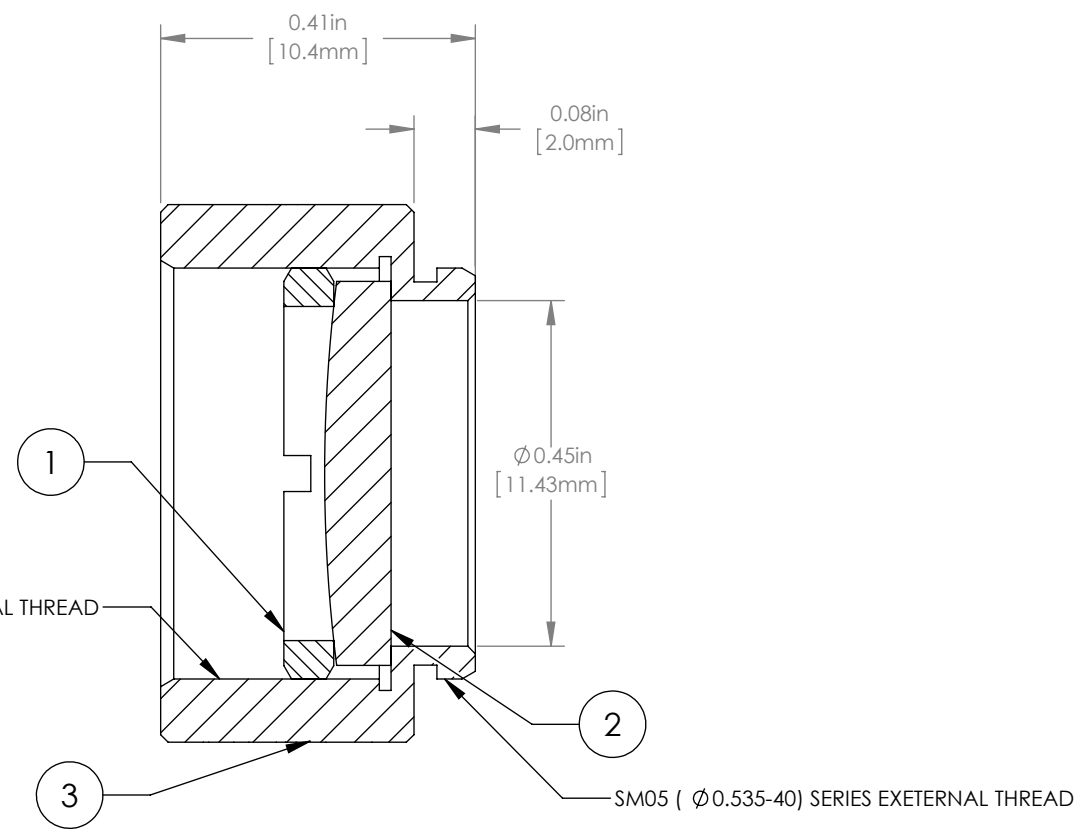
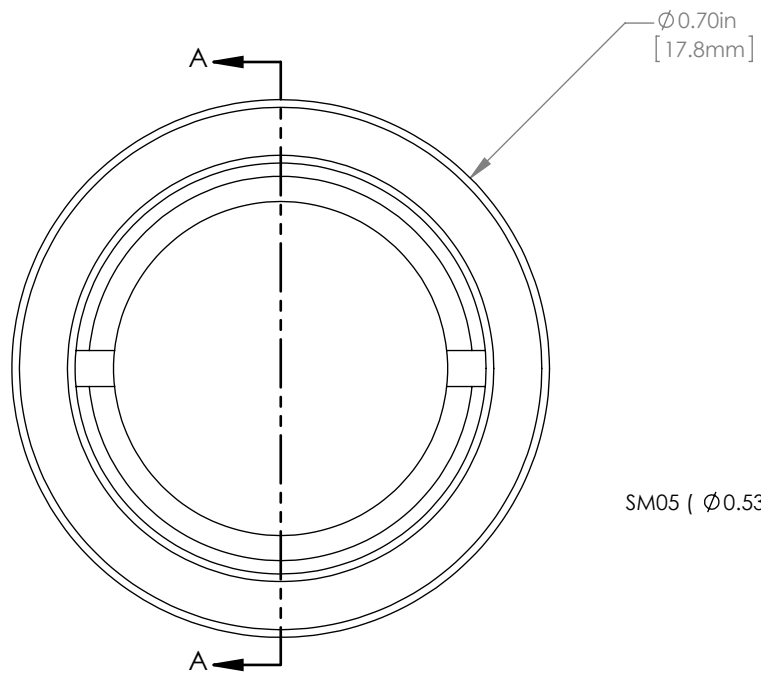




	PART DESCRIPTION	MATERIAL
①	SM05RR	ANODIZED ALUMINUM
②	LA1207-B	N-BK7
③	ENGRAVED HOUSING	ANODIZED ALUMINUM



NOTES/SPECIFICATIONS:

- DESIGN WAVELENGTH: 587.6nm
- FOCAL LENGTH: f=99.7mm ± 1%
- WORKING DISTANCE (REF): 95.4mm
- CLEAR APERTURE: > Ø 11.05mm
- SURFACE QUALITY: 40-20 SCRATCH-DIG
- CENTRATION: < 3arcmin
- COATING: BBAR Ravg<0.5% FROM 650-1050nm, AOI: 0°, ON OUTER OPTICAL SURFACES

FOR INFORMATION ONLY
NOT FOR MANUFACTURING PURPOSES

DRAWING PROJECTION			THORLABS www.thorlabs.com	
NAME	DATE	Ø 1/2" MOUNTED PLANO CONVEX LENS, f=100mm, -B COAT		
DRAWN	GG	30/JUN/15	MATERIAL	
APPROVAL	DD	30/JUN/15	SEE TABLE	
COPYRIGHT © 2015 BY THORLABS			ITEM #	APPROX WEIGHT
VALUES IN PARENTHESIS ARE CALCULATED AND MAY CONTAIN ROUND OFF ERRORS			LA1207-B-ML	4 g
			REV	A