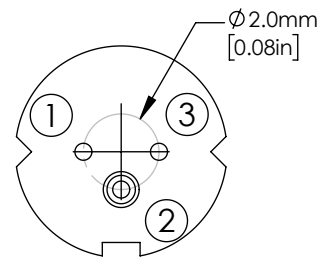
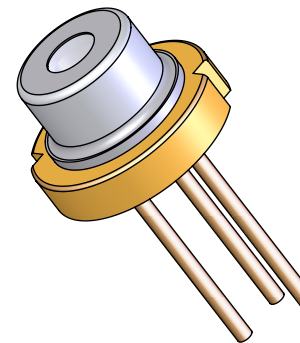
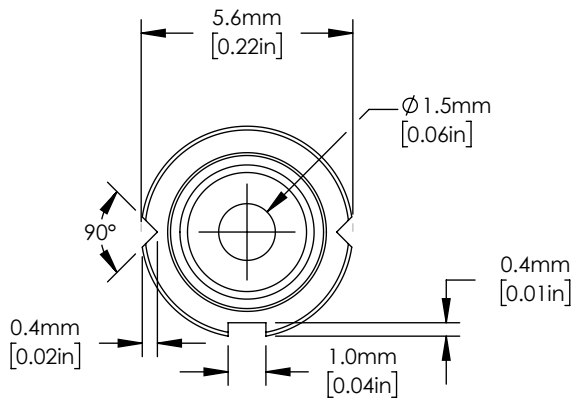
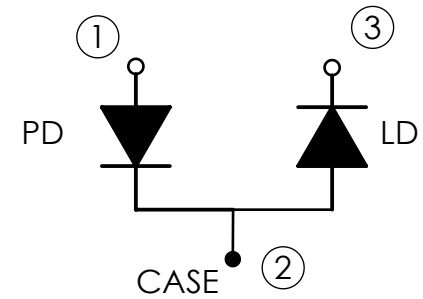


Rear View



PIN Code A



FOR INFORMATION ONLY
NOT FOR MANUFACTURING PURPOSES

DRAWING PROJECTION			 www.thorlabs.com	
	NAME	DATE		
DRAWN	YH	04/JAN/19	L515A1 Laser Diode	
APPROVAL	MM	05/JAN/19	MATERIAL	N/A
COPYRIGHT © 2019 BY THORLABS VALUES IN PARENTHESIS ARE CALCULATED AND MAY CONTAIN ROUND OFF ERRORS			ITEM #	L515A1
			APPROX WEIGHT	0.5g
			REV	A