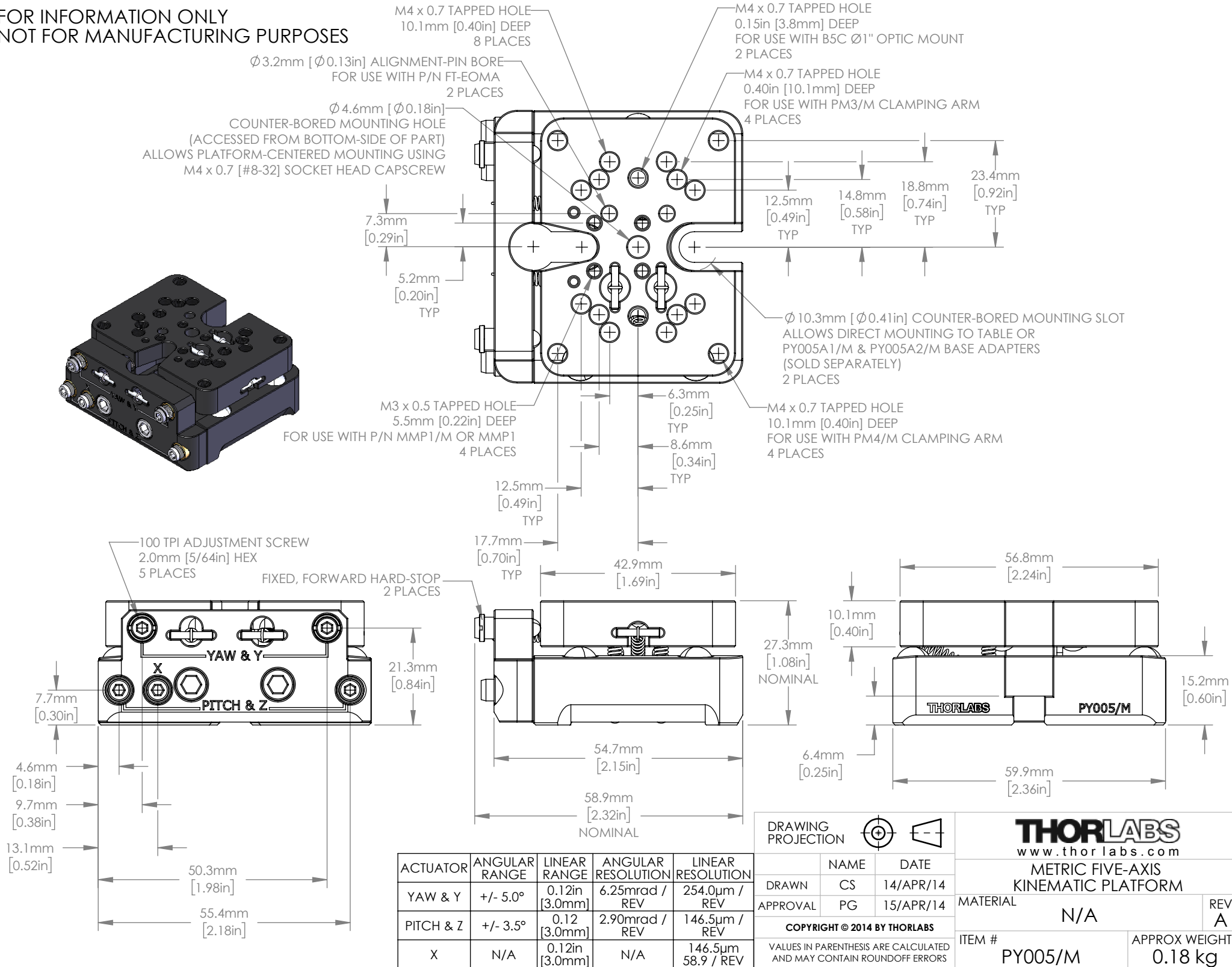
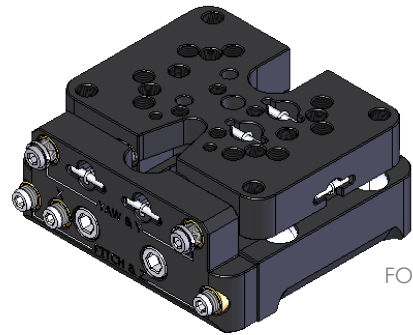


**FOR INFORMATION ONLY  
NOT FOR MANUFACTURING PURPOSES**



ACTUATOR	ANGULAR RANGE	LINEAR RANGE	ANGULAR RESOLUTION	LINEAR RESOLUTION
YAW & Y	+/- 5.0°	0.12in [3.0mm]	6.25mrad / REV	254.0µm / REV
PITCH & Z	+/- 3.5°	0.12 [3.0mm]	2.90mrad / REV	146.5µm / REV
X	N/A	0.12in [3.0mm]	N/A	146.5µm 58.9 / REV

**DRAWING PROJECTION**

	NAME	DATE
DRAWN	CS	14/APR/14
APPROVAL	PG	15/APR/14

**COPYRIGHT © 2014 BY THORLABS**

VALUES IN PARENTHESIS ARE CALCULATED AND MAY CONTAIN ROUND OFF ERRORS

**THORLABS**  
www.thorlabs.com

**METRIC FIVE-AXIS KINEMATIC PLATFORM**

MATERIAL	REV
N/A	A

ITEM # **PY005/M** APPROX WEIGHT **0.18 kg**