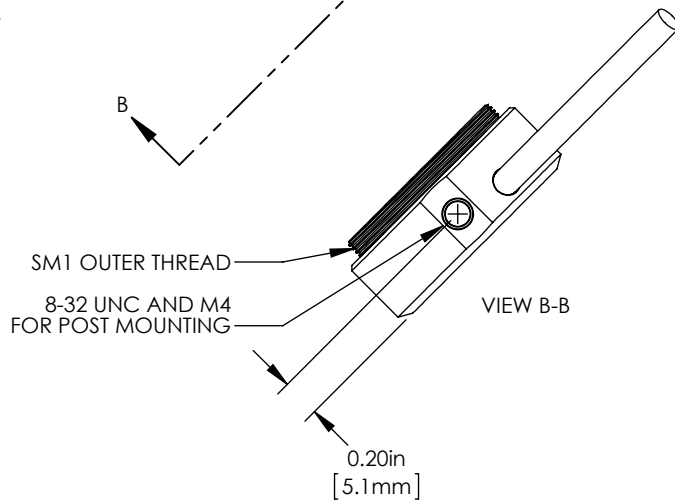
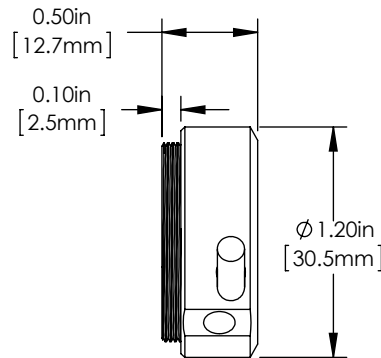
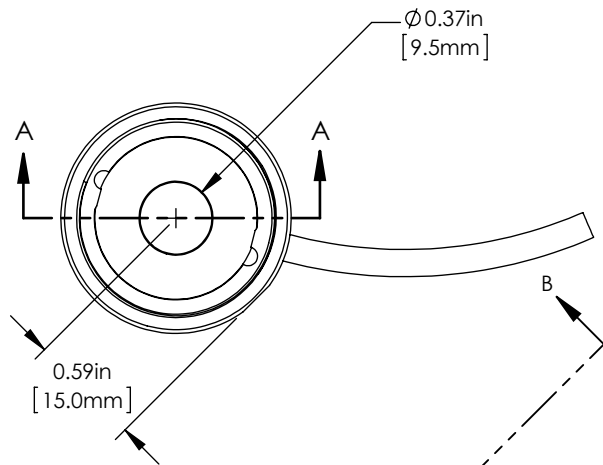


SECTION A-A



VIS/IR VIEWING TARGET (S120C, S121C)  
UV VIEWING TARGET (S120VC)  
(TARGET IS REMOVEABLE)

60" (1.5M) CABLE TO  
DB9 MALE CONNECTOR

SELF FIXING MECHANISM  
SLIGHTLY PRESS FROM BOTH  
SIDES FOR PLUGGING AND  
UNPLUGGING

CONNECTOR PIN DIAGRAM

2	EEPROM DATA
3	PD ANODE & NTC GROUND
4	PD CATHODE
6	EEPROM GROUND
7	NTC
1,4,5,9	N.C.

FOR INFORMATION ONLY  
NOT FOR MANUFACTURING PURPOSES

DRAWING PROJECTION

	NAME	DATE
DRAWN	GO	04/APR/13
APPROVAL	MG	05/APR/13

COPYRIGHT © 2013 BY THORLABS  
VALUES IN PARENTHESIS ARE CALCULATED  
AND MAY CONTAIN ROUND OFF ERRORS

**THORLABS**  
www.thorlabs.com

SILICON POWER HEAD

MATERIAL N/A REV B

ITEM # S120C, S121C, S120VC APPROX WEIGHT 0.1 kg