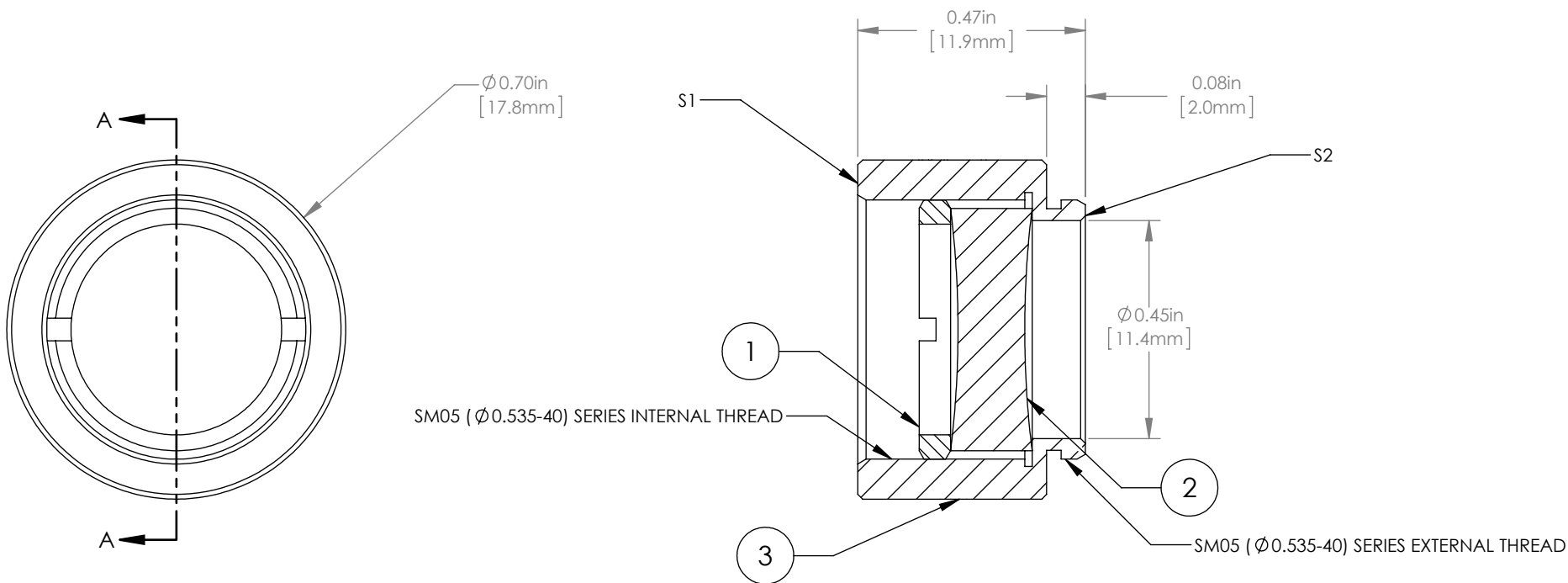
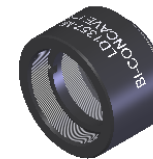


	PART DESCRIPTION	MATERIAL
①	SM05RR	ANODIZED ALUMINUM
②	LD1357	N-BK7
③	ENGRAVED HOUSING	ANODIZED ALUMINUM



NOTES/SPECIFICATIONS:

- DESIGN WAVELENGTH: 633nm
- FOCAL LENGTH: $f = -50.0\text{mm} \pm 1\%$
- WORKING DISTANCE (S1): -42.3mm (REF)
- WORKING DISTANCE (S2): -44.4mm (REF)
- CLEAR APERTURE: $> \text{Ø} 11.0\text{mm}$
- SURFACE QUALITY: 40-20 SCRATCH-DIG

FOR INFORMATION ONLY
NOT FOR MANUFACTURING PURPOSES

DRAWING PROJECTION						THORLABS www.thorlabs.com		
NAME	DATE	Ø 1/2" MOUNTED BI-CONCAVE LENS, $f = -50\text{mm}$				MATERIAL SEE TABLE		REV
DRAWN	20/NOV/15							A
APPROVAL	20/NOV/15	COPYRIGHT © 2015 BY THORLABS				ITEM # LD1357-ML		APPROX WEIGHT
VALUES IN PARENTHESIS ARE CALCULATED AND MAY CONTAIN ROUND OFF ERRORS								5 g