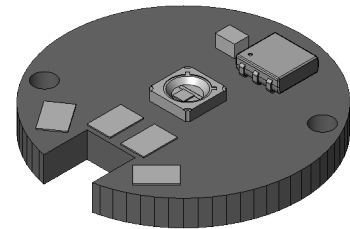
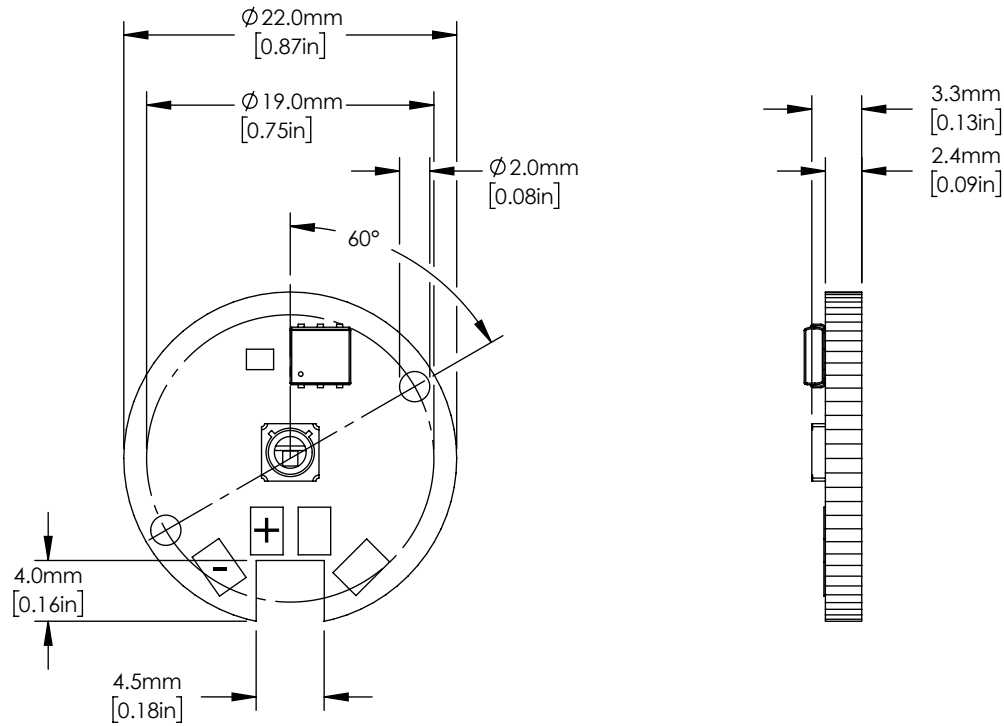


**CAUTION !**  
 TO ENSURE PROPER HEAT MANAGEMENT,  
 MOUNT THE METAL-CORE PRINTED CIRCUIT  
 BOARD (MCPCB) TO AN ADEQUATE HEAT SINK



Item #	10dB Wavelength Range	Minimum Power LED Output	Typical Power LED Output	Maximum Current (CW)	Forward Voltage	Bandwidth (FWHM)	Typical Lifetime	MCPCB Thickness	Risk Group According to the IEC Standard 62471:2006 **
MBB1D1	470 nm - 850 nm	70 mW	80 mW	500 mA	3.6 V	N/A	>10 000 h	2.4 mm	RG0 - EXEMPT GROUP

\* The specifications listed in the table above are nominal values.  
 \*\* Photobiological Safety of Lamps and Lamp Systems

FOR INFORMATION ONLY  
 NOT FOR MANUFACTURING PURPOSES

DRAWING PROJECTION				<b>THORLABS</b> <a href="http://www.thorlabs.com">www.thorlabs.com</a>	
	NAME	DATE		BROADBAND (470nm - 850nm) LED ON MCPCB	
DRAWN	Hit.	09/JAN/18			
APPROVAL	SB	09/JAN/18		MATERIAL	REV
COPYRIGHT © 2018 BY THORLABS				-	C
VALUES IN PARENTHESIS ARE CALCULATED AND MAY CONTAIN ROUND OFF ERRORS				ITEM #	APPROX WEIGHT
				MBB1D1	2 g