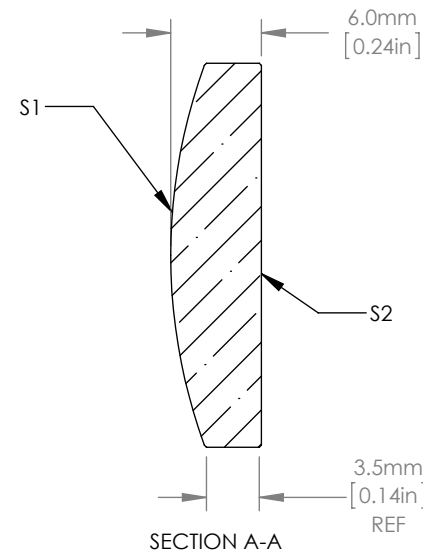
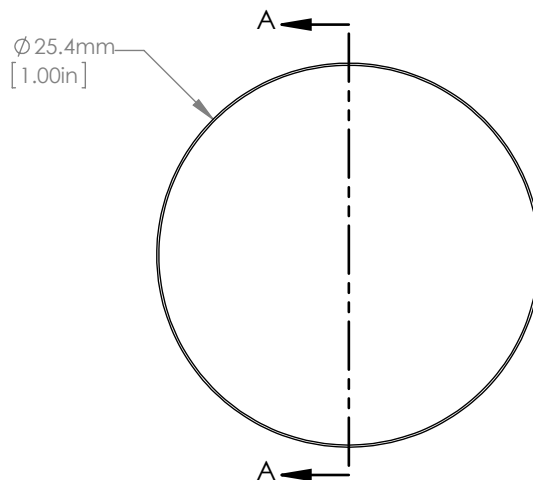


1:1 ISOMETRIC VIEW FOR REFERENCE ONLY

	R	k	A ₄
S1	35.8256	-0.6291	1.4398E-7
S2	PLANO	-	-

$$z = \frac{Y^2}{R(1 + \sqrt{1 - (1 + k)Y^2 / R^2})} + A_4 Y^4$$

Y(mm)	SAG (mm)
0	0
1.27	2.251341E-2
2.54	9.00896E-2
3.81	2.02837E-1
5.08	3.60936E-1
6.35	5.64643E-1
7.62	8.14288E-1
8.89	1.11028
10.16	1.45311
11.43	1.84334
12.70	2.28165



NOTES/SPECIFICATIONS:

- DESIGN WAVELENGTH: 780nm
- CLEAR APERTURE: >90% of Diameter
- FOCAL LENGTH: 79.0mm ±0.5%
- NUMERICAL APERTURE: 0.143
- REFRACTIVE INDEX: 1.459
- WORKING DISTANCE (REF): 74.84 mm
- SURFACE QUALITY: 40-20 SCRATCH-DIG
- RMS WAVEFRONT ERROR: DIFFRACTION LIMITED AT DISCRETE WAVELENGTHS FROM 250-2325nm
- RADIUS OF CURVATURE TOLERANCE (S1): ±0.10%
- SAG DEVIATION (POWER)(S1): ±2.0µm
- RMS IRREGULARITY (S1): <1 FRINGE
- PEAK TO VALLEY FLATNESS (S2): <λ/10
- CENTRATION: <3arcmin
- COATING: BBAR Rave<0.5%, λ= 650-1050nm, AOI=0°

FOR INFORMATION ONLY
NOT FOR MANUFACTURING PURPOSES

DRAWING PROJECTION			THORLABS www.thorlabs.com	
NAME	DATE	1" ASPHERIC LENS, NA=0.143, f=79.0mm, 650-1050 nm BBAR		
DRAWN	16/SEP/13	MATERIAL		REV
APPROVAL	24/SEP/13	UV FUSED SILICA		A
COPYRIGHT © 2013 BY THORLABS		ITEM #	APPROX WEIGHT	
VALUES IN PARENTHESIS ARE CALCULATED AND MAY CONTAIN ROUND OFF ERRORS		ASL10142-B	0.008 kg	