

WARNING

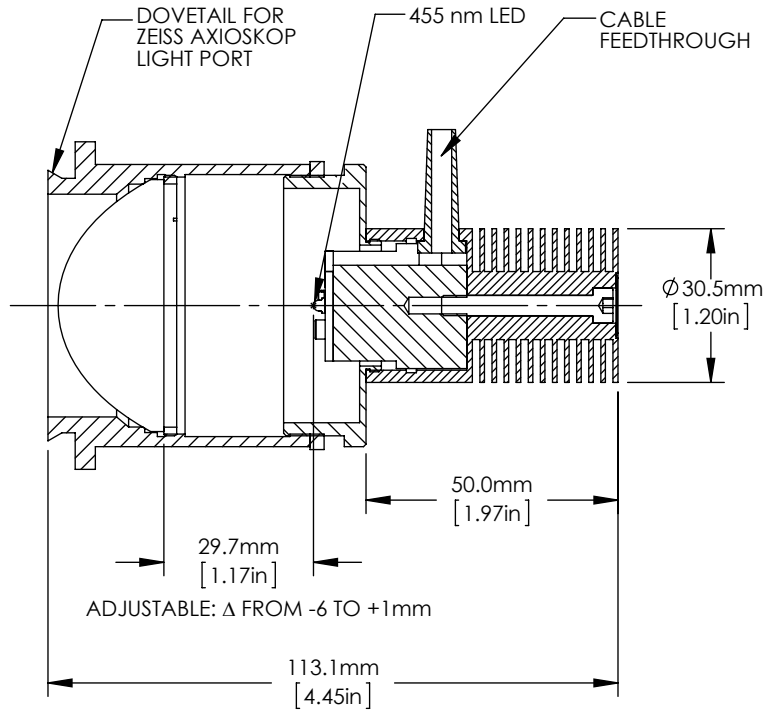
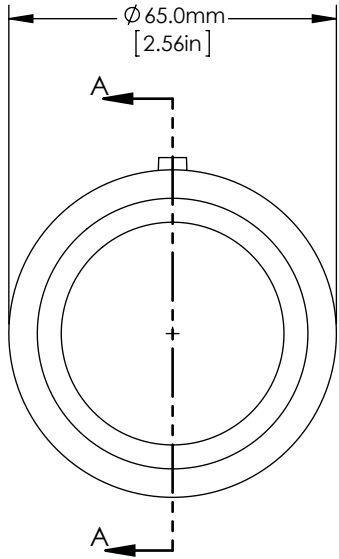
UV LEDs

UV emitted from this product. Avoid eye and skin exposure to unshielded products.

VIS LEDs

Possibly hazardous optical radiation emitted from this product. Do not look at operating lamp. Eye injury may result.

SECTION A-A



Item #	Color	LED Wavelength*	Chip Size	Minimum Power LED Output	Typical Power LED Output	Total Beam Power	Beam Diameter	Beam Area	Maximum Drive Current (CW)	Forward Voltage	Electrical Power	Typical Lifetime	Risk Group According to the IEC Standard 62471:2006**
M455L3-C4	Royal Blue	455 nm	1 mm x 1 mm	900 mW	1020 mW	430 mW	44 mm	1520 mm ²	1000 mA	3.2 V	3200 mW	100 000 h	RG3 - HIGH RISK GROUP

* The specifications listed in the table above are nominal values.
 ** Photobiological Safety of Lamps and Lamp Systems

FOR INFORMATION ONLY
 NOT FOR MANUFACTURING PURPOSES

DRAWING PROJECTION					
				www.thorlabs.com	
				COLLIMATED 455nm LED FOR ZEISS AXIOSKOPE MICROSCOPES	
DRAWN		NAME	DATE	MATERIAL	
APPROVAL		KB	12/NOV/15	N/A	
		COPYRIGHT © 2015 BY THORLABS		REV B	
		VALUES IN PARENTHESIS ARE CALCULATED AND MAY CONTAIN ROUND OFF ERRORS		ITEM #	
				M455L3-C4	
				APPROX WEIGHT	
				0.29 kg	