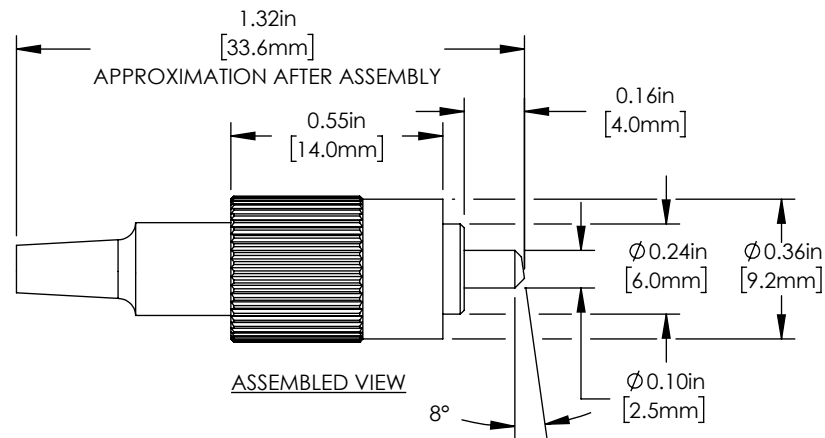
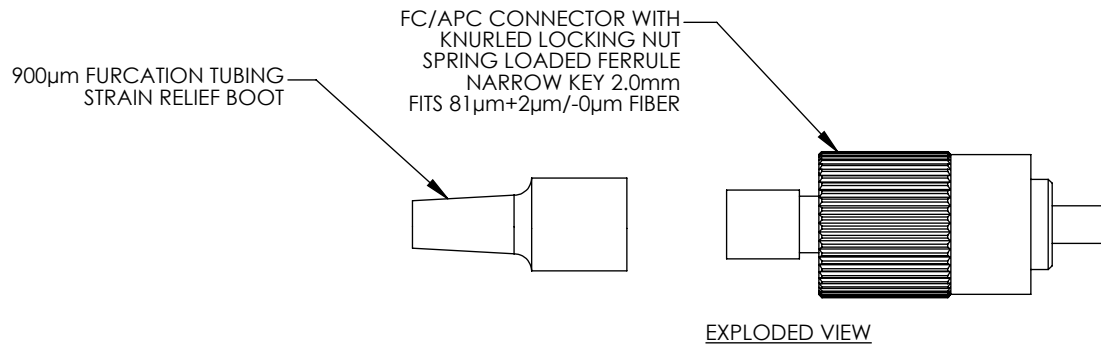


ISOMETRIC VIEW
SCALE 2:1



FOR USE WITH SINGLE MODE FIBER AND 900 µm TUBING ONLY
INCLUDED BUT NOT SHOWN

- PROTECTIVE DUST CAP

FOR INFORMATION ONLY
NOT FOR MANUFACTURING PURPOSES

DRAWING PROJECTION



	NAME	DATE
DRAWN	IR	23/MAR/16
APPROVAL	PH	20/APR/16

COPYRIGHT © 2016 BY THORLABS

VALUES IN PARENTHESIS ARE CALCULATED AND MAY CONTAIN ROUND OFF ERRORS

THORLABS
www.thorlabs.com

FC/APC CONNECTOR, 81µm, 900µm BOOT		
MATERIAL	N/A	REV A
ITEM #	30080K2	APPROX WEIGHT 6.4g