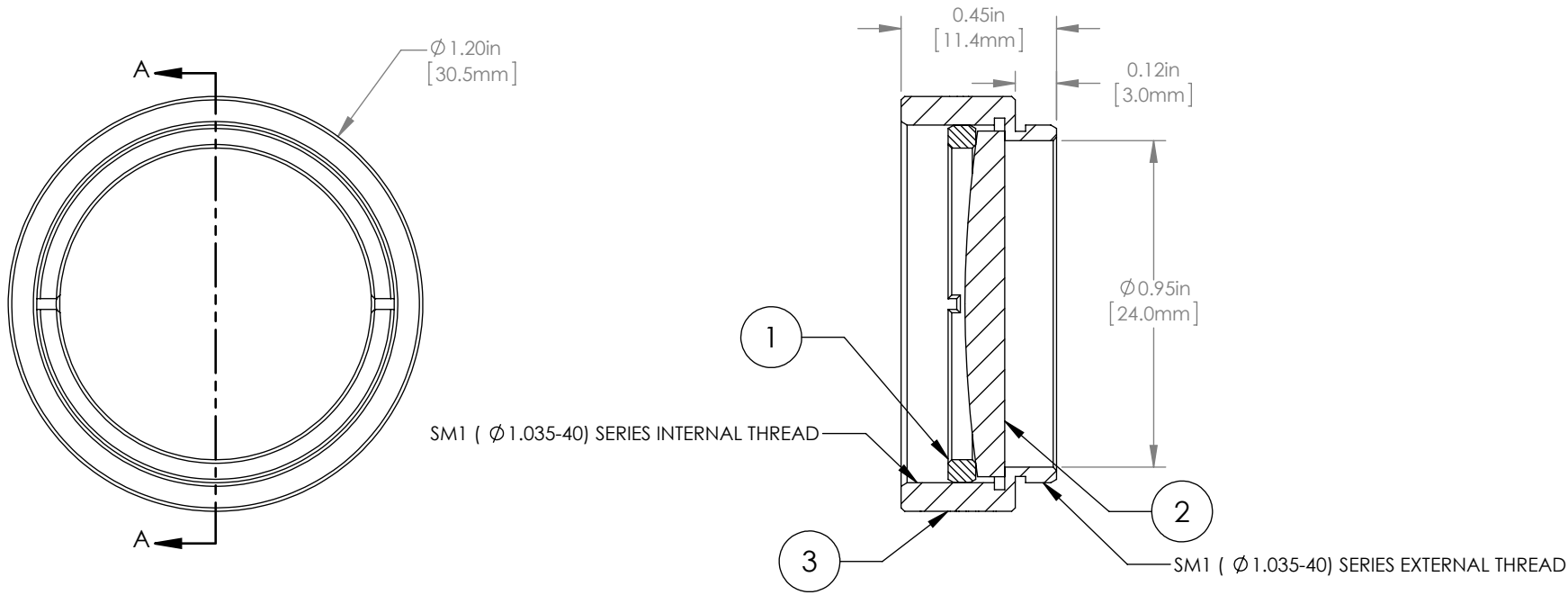


	PART DESCRIPTION	MATERIAL
①	SM1RR	ANODIZED ALUMINUM
②	LA4102-YAG-ML	UV FUSED SILICA
③	ENGRAVED HOUSING	ANODIZED ALUMINUM



NOTES/SPECIFICATIONS:

1. DESIGN WAVELENGTH: 546nm
2. FOCAL LENGTH: $f=200.0\text{mm} \pm 1\%$
3. WORKING DISTANCE (REF): 194.2mm
4. CLEAR APERTURE: $> \text{Ø} 22.86\text{mm}$
5. SURFACE QUALITY: 40-20 SCRATCH-DIG
6. COATING: BBAR $R_{\text{avg}} < 0.25\%$ DUAL VAR 532 & 1064nm, AOI: 0°, ON OUTER OPTICAL SURFACES

FOR INFORMATION ONLY
NOT FOR MANUFACTURING PURPOSES

DRAWING PROJECTION			THORLABS www.thorlabs.com
NAME	DATE		
DRAWN	GG	13/OCT/15	Ø 1" MOUNTED PLANO-CONVEX LENS, f=200mm, -YAG COAT
APPROVAL	DD	13/OCT/15	
COPYRIGHT © 2015 BY THORLABS			MATERIAL
VALUES IN PARENTHESIS ARE CALCULATED AND MAY CONTAIN ROUND OFF ERRORS			SEE TABLE
ITEM #		APPROX WEIGHT	REV
LA4102-YAG-ML		9 g	A