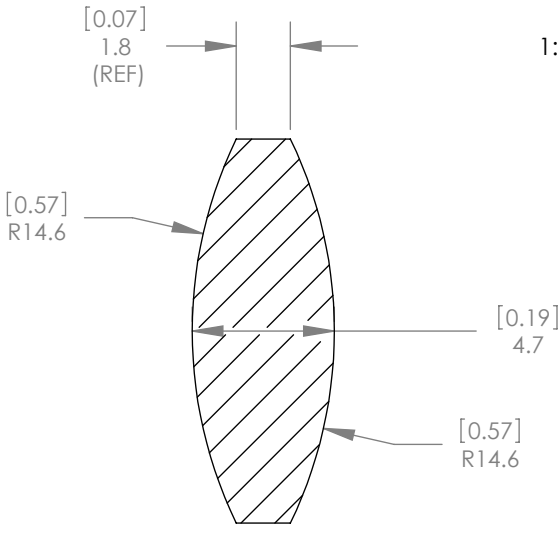
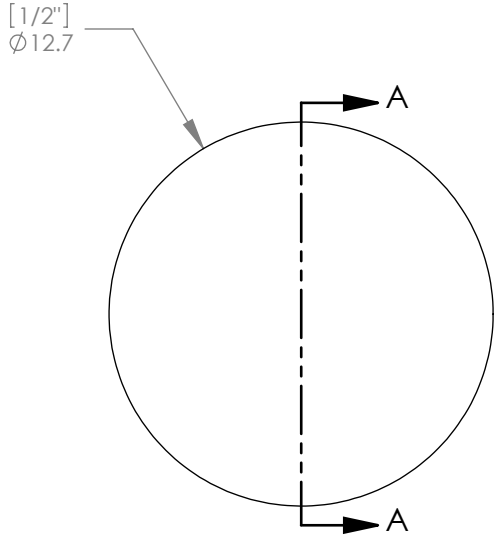




1:1 ISOMETRIC VIEW FOR REFERENCE ONLY



SECTION A-A

NOTES/SPECIFICATIONS:

1. DESIGN WAVELENGTH: 587.6nm
2. FOCAL LENGTH: $f=15.0\text{mm} \pm 1\%$
3. BACK FOCAL LENGTH(REF): $bf=13.3\text{mm}$
4. CLEAR APERTURE: $>90\%$
5. SURFACE QUALITY: 40-20 SCRATCH-DIG
6. CENTRATION: $<3\text{arcmin}$
7. DIAMETER TOLERANCE: $+0.0/-0.1\text{mm}$
8. THICKNESS TOLERANCE: $\pm 0.1\text{mm}$
9. COATING: BBAR $R_{avg} < 0.5\%$ FROM 350nm-700nm, 0° AOI, ON OUTER OPTICAL SURFACES

ALL DIMENSIONS ARE IN THE FORM [in] mm;
THIS DRAWING IS FOR INFORMATION ONLY
NOT INTENDED FOR MANUFACTURING

THORLABS INC. PO BOX 366
NEWTON NJ

TITLE: D=12.7 F=15.0 N-BK7 A COAT
BI CONVEX LENS

MATERIAL: N-BK7 SIZE A REV. B

SCALE: 4:1 SHEET 1 OF 1

DWG. NO. 4627-E01 PART NO. LB1092-A

	NAME	DATE
DRAWN	WD	11/19/2009
ENG APPR.	BW	11/24/2009
MFG APPR.	DD	12/09/2009

PROPRIETARY AND CONFIDENTIAL
THE INFORMATION CONTAINED IN THIS DRAWING IS THE SOLE PROPERTY OF THORLABS, INC. ANY REPRODUCTION IN PART OR AS A WHOLE WITHOUT THE WRITTEN PERMISSION OF THORLABS, INC. IS PROHIBITED.