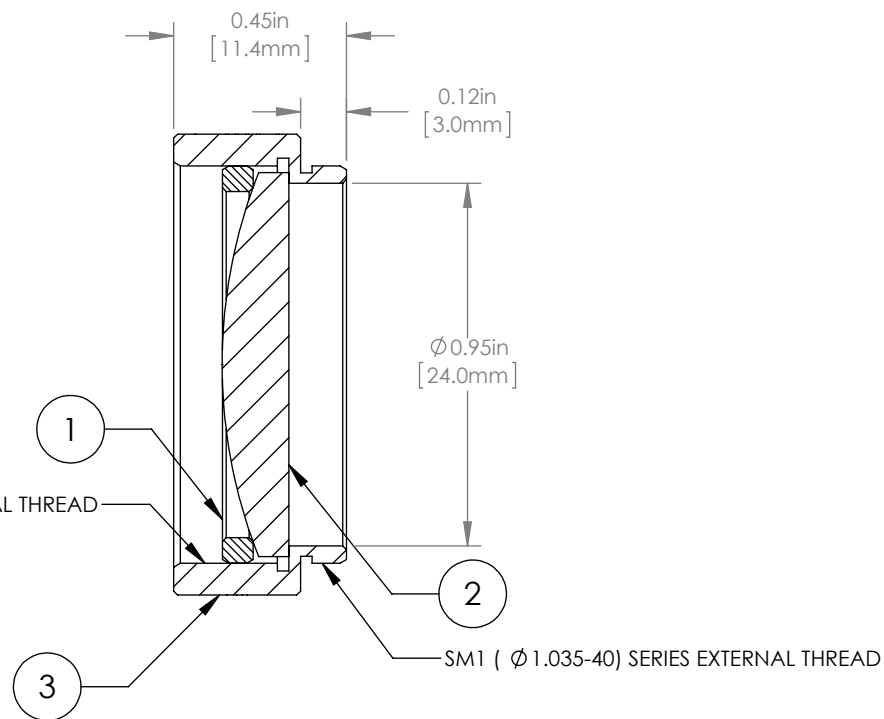
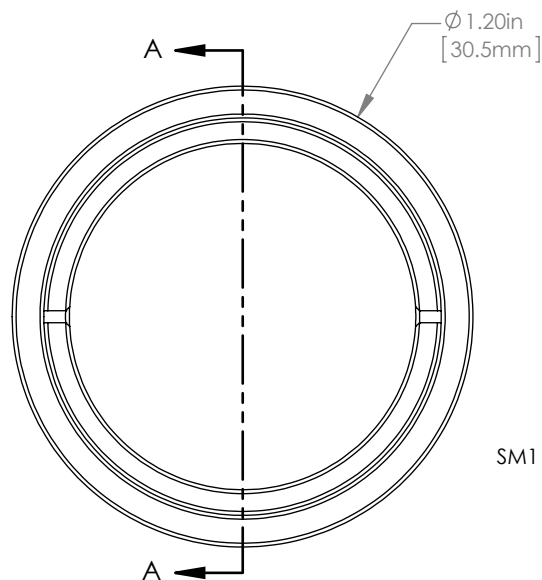


	PART DESCRIPTION	MATERIAL
①	SM1RR	ANODIZED ALUMINUM
②	LA4725-YAG	UV FUSED SILICA
③	ENGRAVED HOUSING	ANODIZED ALUMINUM



NOTES/SPECIFICATIONS:

- DESIGN WAVELENGTH: 546nm
- FOCAL LENGTH: $f=75.0\text{mm} \pm 1\%$
- WORKING DISTANCE (REF): 68.2mm
- CLEAR APERTURE: $> \text{Ø} 22.86\text{mm}$
- SURFACE QUALITY: 40-20 SCRATCH-DIG
- COATING: BBAR $R_{\text{avg}} < 0.25\%$ DUAL VAR 532 & 1064nm, AOI: 0°, ON OUTER OPTICAL SURFACES

FOR INFORMATION ONLY
NOT FOR MANUFACTURING PURPOSES

DRAWING PROJECTION			THORLABS www.thorlabs.com $\text{Ø} 1''$ MOUNTED PLANO-CONVEX LENS, $f=75\text{mm}$, -YAG COAT	
NAME	DATE			
DRAWN	GG	13/OCT/15	MATERIAL	
APPROVAL	DD	13/OCT/15		
COPYRIGHT © 2015 BY THORLABS			SEE TABLE	
VALUES IN PARENTHESIS ARE CALCULATED AND MAY CONTAIN ROUND OFF ERRORS			ITEM #	APPROX WEIGHT
			LA4725-YAG-ML	9 g

REV
A