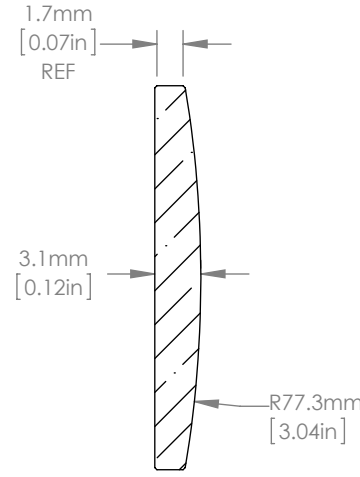
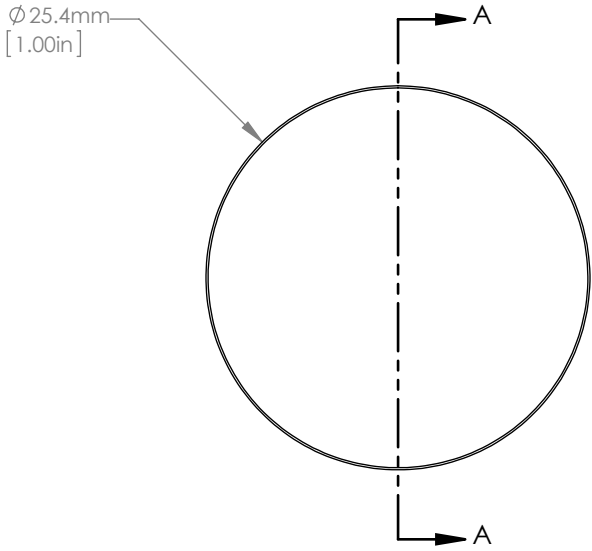


ISOMETRIC VIEW  
SCALE: 1:1



SECTION A-A  
SCALE 2:1

NOTES/SPECIFICATIONS:

1. DESIGN WAVELENGTH: 587.6nm
2. FOCAL LENGTH:  $f= 149.50\text{mm} \pm 1\%$
3. BACK FOCAL LENGTH(REF):  $bf= 149.50\text{mm}$
4. CLEAR APERTURE: >90%
5. SURFACE QUALITY: 20-10 SCRATCH-DIG
6. CENTRATION: <3arcmin
7. DIAMETER TOLERANCE:  $\pm 0.0/-0.1\text{mm}$
8. THICKNESS TOLERANCE:  $\pm 0.1\text{mm}$
9. COATING: VAR R<0.25% PER SURFACE FOR 780nm

FOR INFORMATION ONLY  
NOT FOR MANUFACTURING PURPOSES

DRAWING PROJECTION			 <a href="http://www.thorlabs.com">www.thorlabs.com</a>	
NAME	DATE	N-BK7 PLANO-CONVEX LENS D=25.4mm, f=150.0mm, ARC: 780nm		
DRAWN	RJ	03/JAN/11	MATERIAL	
APPROVAL	DD	05/JAN/11	N-BK7	REV B
COPYRIGHT © 2010 BY THORLABS			ITEM #	APPROX WEIGHT
VALUES IN PARENTHESIS ARE CALCULATED AND MAY CONTAIN ROUND OFF ERRORS			LA1433-780	0.03 kg