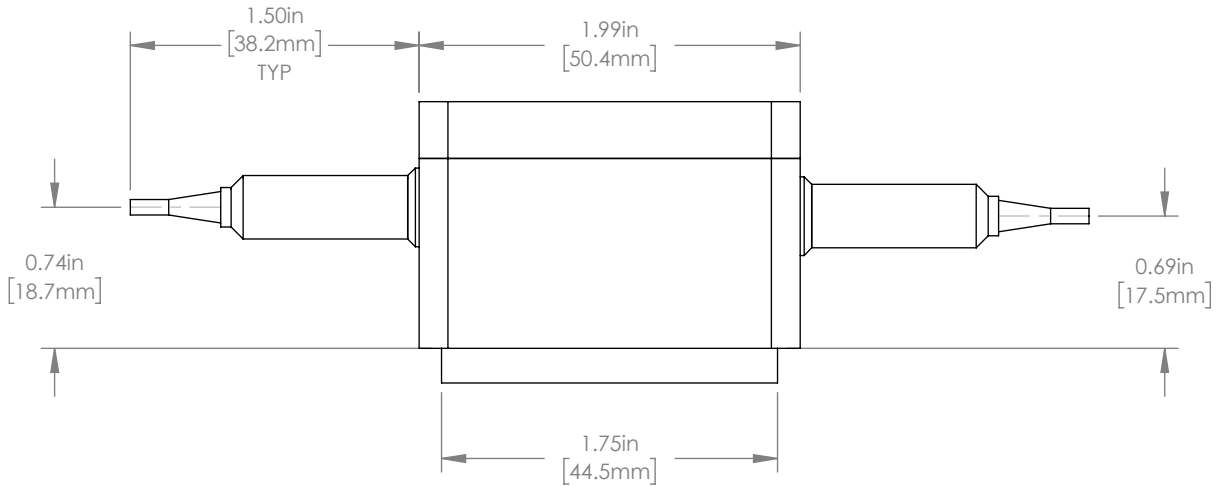
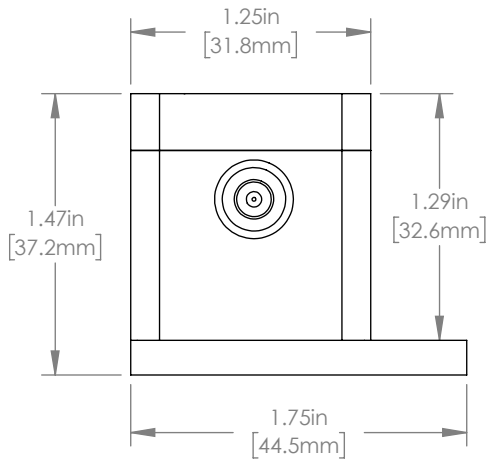
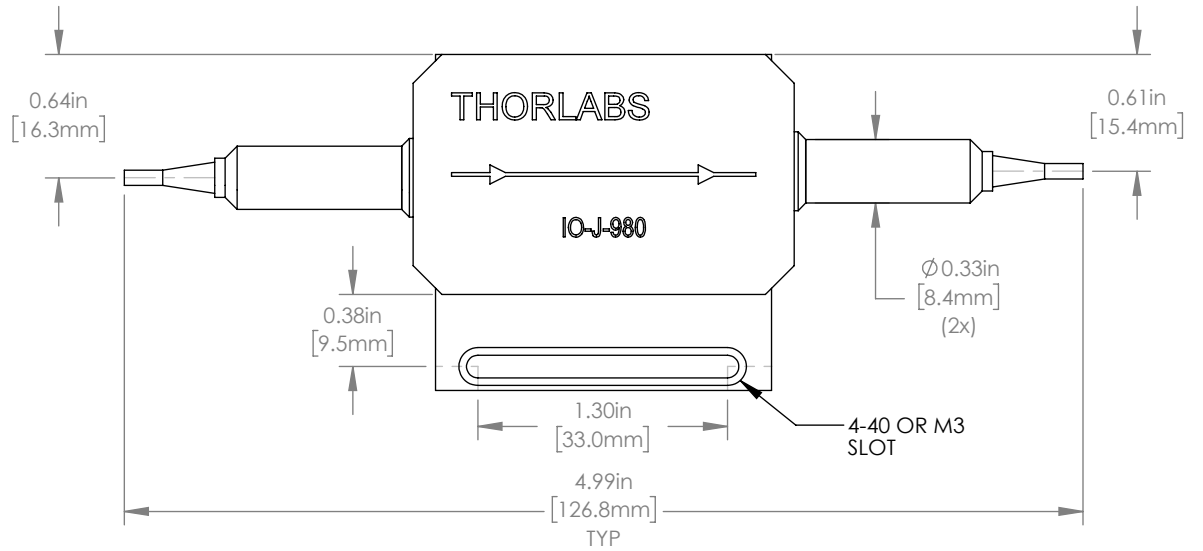


ISOMETRIC VIEW
SCALE 1:2

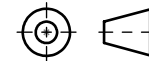


NOTES:

1. FIBERS NOT SHOWN
2. FIBER LENGTH 0.8m min
3. FIBER USED: PM980-XP

FOR INFORMATION ONLY
NOT FOR MANUFACTURING PURPOSES

DRAWING PROJECTION



	NAME	DATE
DRAWN	EH	20/MAR/14
APPROVAL	ET	23/APR/14

COPYRIGHT © 2014 BY THORLABS

VALUES IN PARENTHESIS ARE CALCULATED AND MAY CONTAIN ROUND OFF ERRORS

THORLABS

www.thorlabs.com

POLARIZATION DEPENDENT
FIBER ISOLATOR, 980nm

MATERIAL	N/A	REV C
----------	-----	----------

ITEM #	IO-J-980	APPROX WEIGHT	0.130 kg
--------	----------	---------------	----------