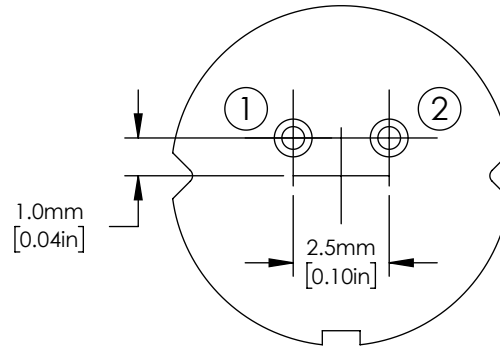
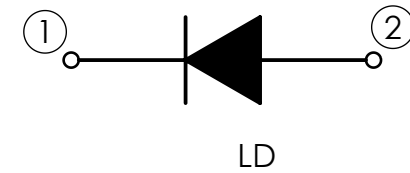


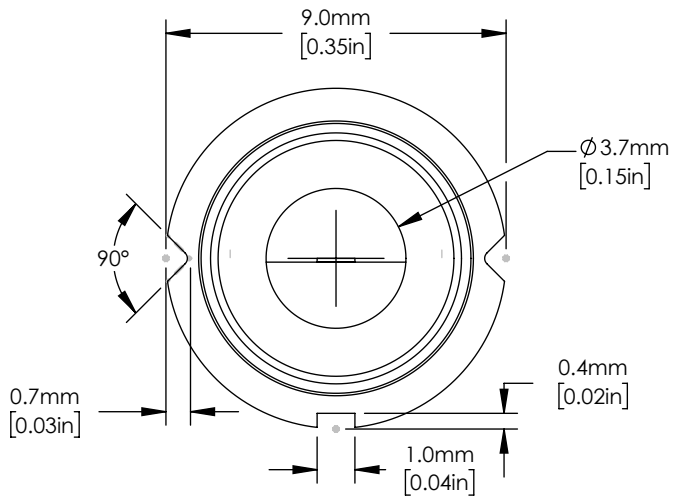
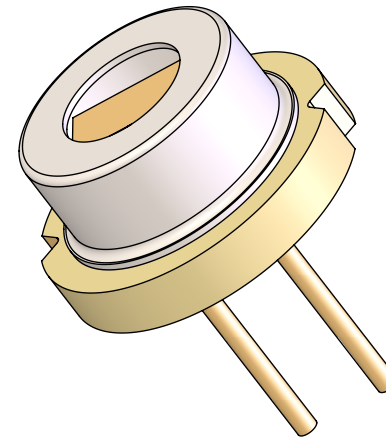
Rear View



PIN Code G



ATTENTION: PIN DIAMETER IS LARGER THAN TYPICAL 9mm TO CAN LASER DIODES
 A MATCHING SOCKET IS SHIPPED WITH EACH DIODE



FOR INFORMATION ONLY
 NOT FOR MANUFACTURING PURPOSES

DRAWING PROJECTION			THORLABS www.thorlabs.com	
	NAME	DATE	L637G1 Laser Diode	
DRAWN	YH	25/APR/19	MATERIAL	
APPROVAL	AL	26/APR/19	N/A	REV A
COPYRIGHT © 2019 BY THORLABS			ITEM #	APPROX WEIGHT
VALUES IN PARENTHESIS ARE CALCULATED AND MAY CONTAIN ROUND OFF ERRORS			L637G1	0.5g