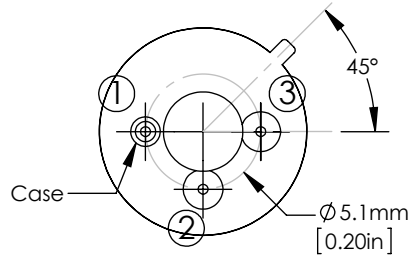
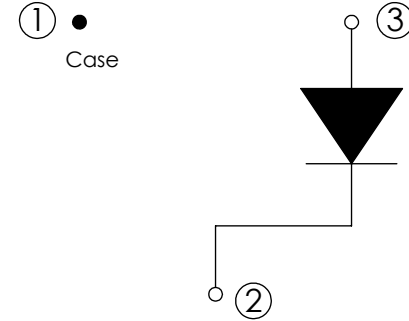


Item List
LED250J
LED255J
LED260J
LED275J
LED280J

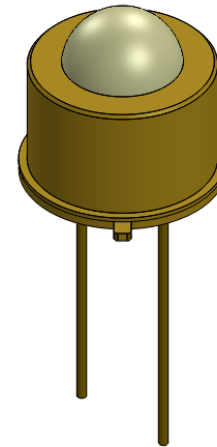
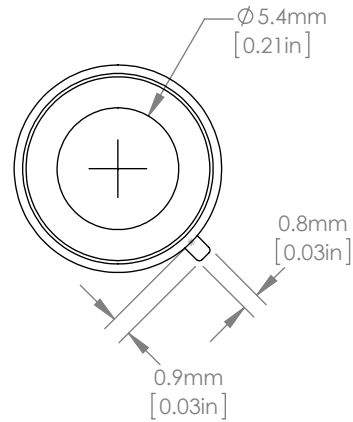
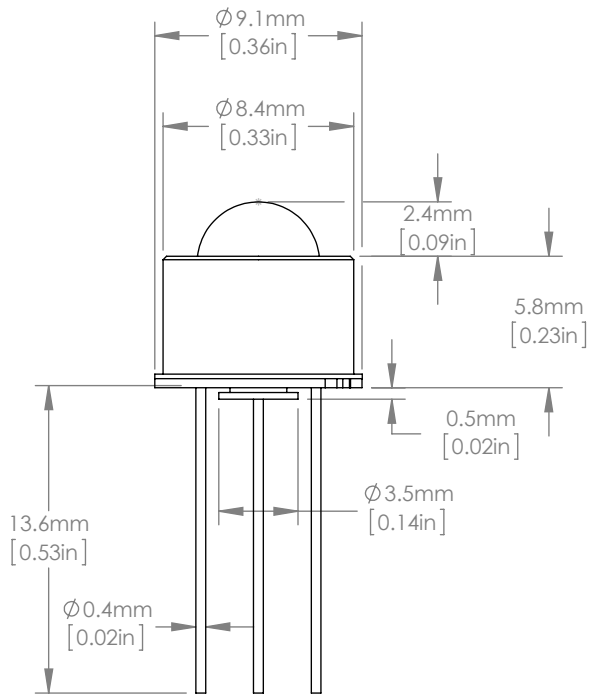
Rear View



PIN Code H*



*Different from Standard H Pin Code, the Cathode is NOT grounded to the case



FOR INFORMATION ONLY
NOT FOR MANUFACTURING PURPOSES

DRAWING PROJECTION			THORLABS www.thorlabs.com	
NAME	DATE	OPTAN UVC LED		
DRAWN	YH	15/JAN/16	REV B	
APPROVAL	RJ	16/JAN/16	MATERIAL	NA
COPYRIGHT © 2016 BY THORLABS			ITEM #	APPROX WEIGHT
VALUES IN PARENTHESIS ARE CALCULATED AND MAY CONTAIN ROUND OFF ERRORS			LIST	1.8g