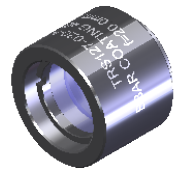
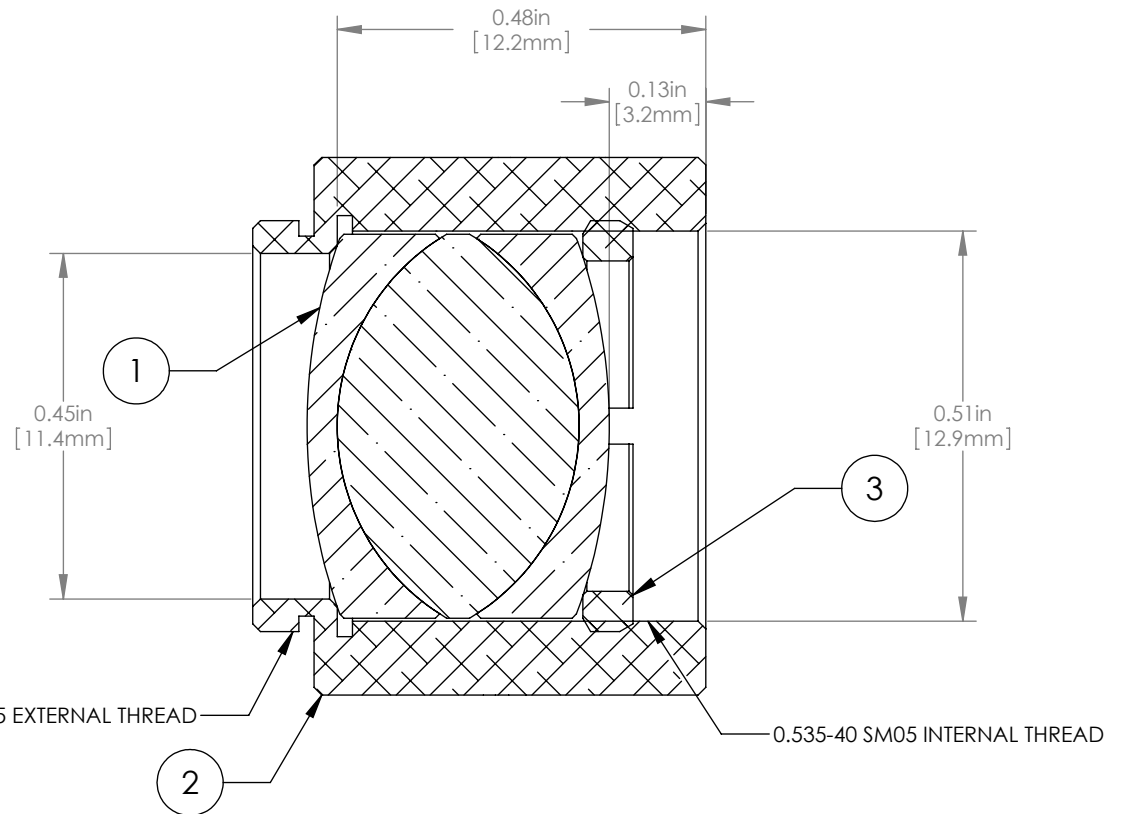
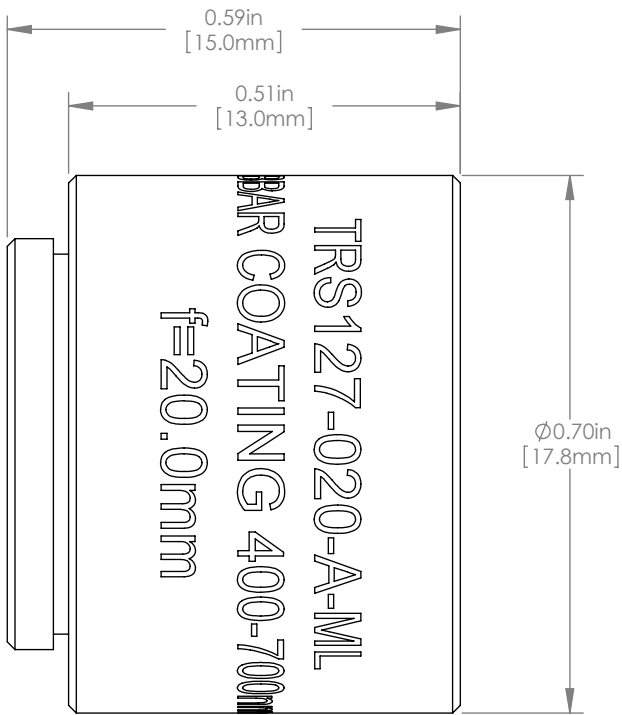


PART	PART DESCRIPTION	MATERIAL
①	TRS127-020-A	N-SF8, N-BAF52
②	LENS MOUNT	6061-T6 ALUMINUM
③	SM05RR	6061-T6 ALUMINUM



SCALE 1:1



NOTES/SPECIFICATIONS:

- DESIGN WAVELENGTH: 486.1nm, 587.6nm, 656.3nm
- FOCAL LENGTH: 20.4 mm $\pm 2\%$
- BACK FOCAL LENGTH: 17.0mm
- LENS DIAMETER: 12.7mm +0.00/-0.10mm
- LENS CENTER THICKNESS: 10.0mm ± 0.15 mm
- CLEAR APERTURE: 90% OF LENS DIAMETER
- LENS CENTRATION: < 3arcmin
- SURFACE QUALITY: 40-20 SCRATCH-DIG
- COATING: BBAR $R_{avg} < 0.5\%$ FROM 400-700nm
0° AOI, ON OUTER OPTICAL SURFACES

FOR INFORMATION ONLY
NOT FOR MANUFACTURING PURPOSES

DRAWING PROJECTION			THORLABS www.thorlabs.com	
	NAME	DATE	MOUNTED TRS127-020-A	
DRAWN	JAC	15/JAN/21		
APPROVAL	MT	15/JAN/21	MATERIAL	REV D
COPYRIGHT © 2021 BY THORLABS			SEE TABLE	
VALUES IN PARENTHESIS ARE CALCULATED AND MAY CONTAIN ROUND OFF ERRORS			ITEM #	APPROX WEIGHT
			TRS127-020-A-ML	0.03 kg