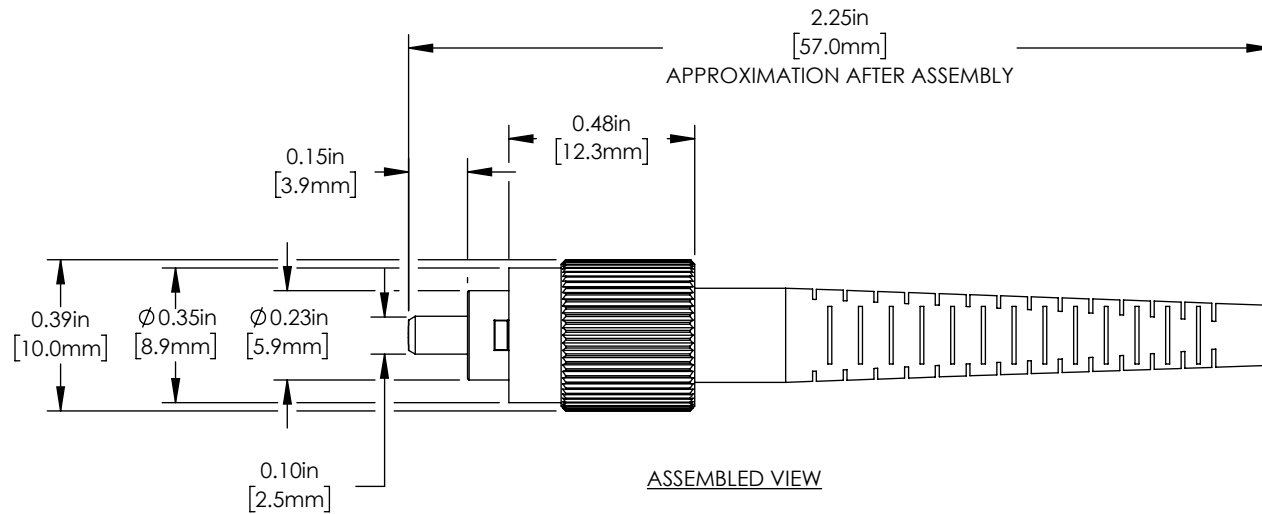
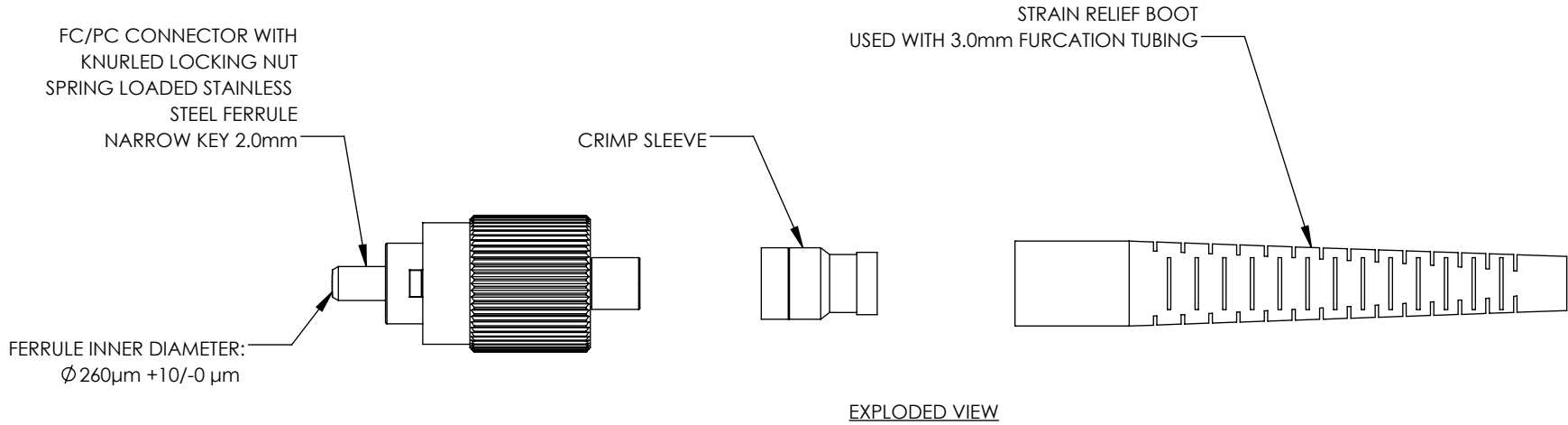


ISOMETRIC VIEW
SCALE 2:3



INCLUDED BUT NOT SHOWN
• PROTECTIVE DUST CAP

FOR INFORMATION ONLY
NOT FOR MANUFACTURING PURPOSES

DRAWING PROJECTION			THORLABS www.thorlabs.com	
NAME	DATE	MULTIMODE FC/PC CONNECTOR, $\text{Ø}260\mu\text{m}$, 3.0mm BOOT		
DRAWN	IR	29/JUL/17	REV A	
APPROVAL	PH	09/AUG/17	MATERIAL N/A	
COPYRIGHT © 2017 BY THORLABS			ITEM # 30260G3	APPROX WEIGHT 0.05 kg
VALUES IN PARENTHESIS ARE CALCULATED AND MAY CONTAIN ROUND OFF ERRORS				