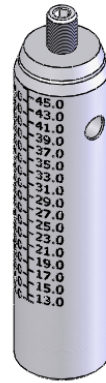
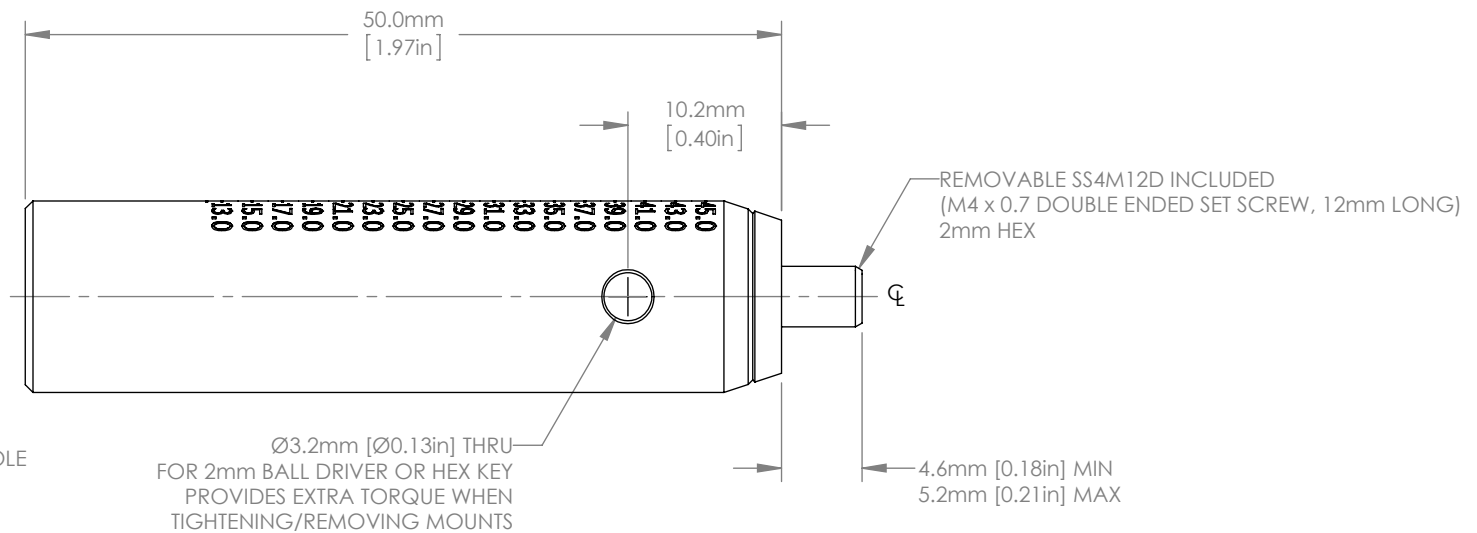
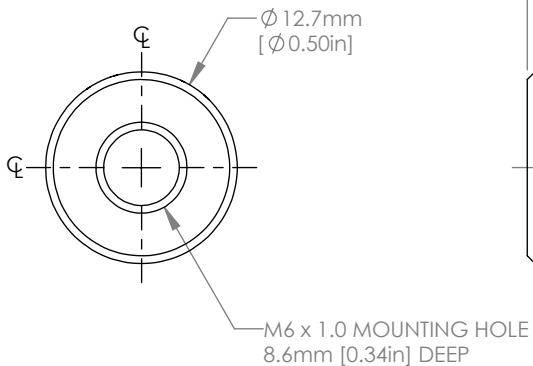


ENGRAVING MARKED EVERY 1mm



FOR INFORMATION ONLY
NOT FOR MANUFACTURING PURPOSES

DRAWING PROJECTION			THORLABS www.thorlabs.com	
NAME	DATE	50mm LONG GRADUATED METRIC TR-SERIES POST		
DRAWN	KP	25/MAR/09	MATERIAL	
APPROVAL	MP	25/MAR/09	STAINLESS STEEL	
COPYRIGHT © 2013 BY THORLABS		ITEM #	TR50E/M	APPROX WEIGHT
VALUES IN PARENTHESIS ARE CALCULATED AND MAY CONTAIN ROUND OFF ERRORS				0.05 kg
				REV D