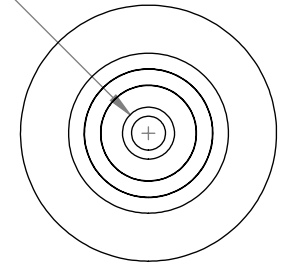
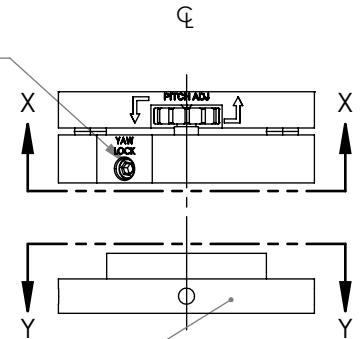


M6 [1/4in] CLEARANCE HOLE FOR USE WITH SOCKET HEAD CAP SCREW (NOT INCLUDED)
 REMOVE MAGNETIC BASE TO ACCESS

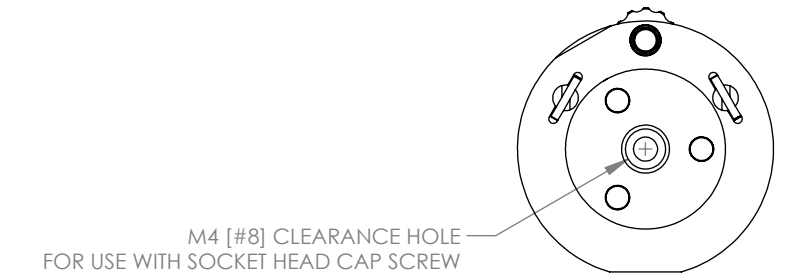


SECTION Y-Y
SCALE 1 : 1.5

ROTATION/YAW ADJUSTMENT LOCK
 2.0mm [5/64in] HEX



REMOVE MAGNETIC BASE TO ACCESS M6 x 1.0 [1/4in-20] COUNTERBORE MOUNTING HOLE



M4 [#8] CLEARANCE HOLE FOR USE WITH SOCKET HEAD CAP SCREW (ONE M4 x 0.7 x 10.0mm SCREW INCLUDED)
 REMOVE MAGNETIC BASE TO ACCESS

SECTION X-X
SCALE 1 : 1.5

FOR INFORMATION ONLY
 NOT FOR MANUFACTURING PURPOSES

DRAWING PROJECTION

	NAME	DATE
DRAWN	CT	16/DEC/19
APPROVAL	SB	17/DEC/19

COPYRIGHT © 2019 BY THORLABS

VALUES IN PARENTHESIS ARE CALCULATED AND MAY CONTAIN ROUND OFF ERRORS

THORLABS
 www.thorlabs.com

PITCH YAW PLATFORM, METRIC

MATERIAL N/A
 REV A

ITEM # KPY1/M
 APPROX WEIGHT 0.13 kg