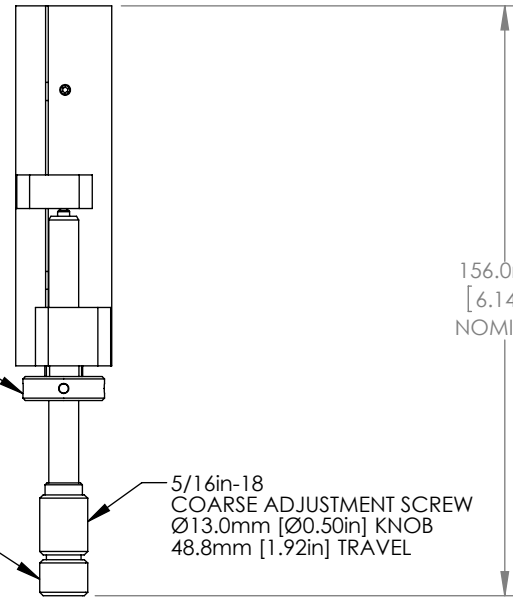


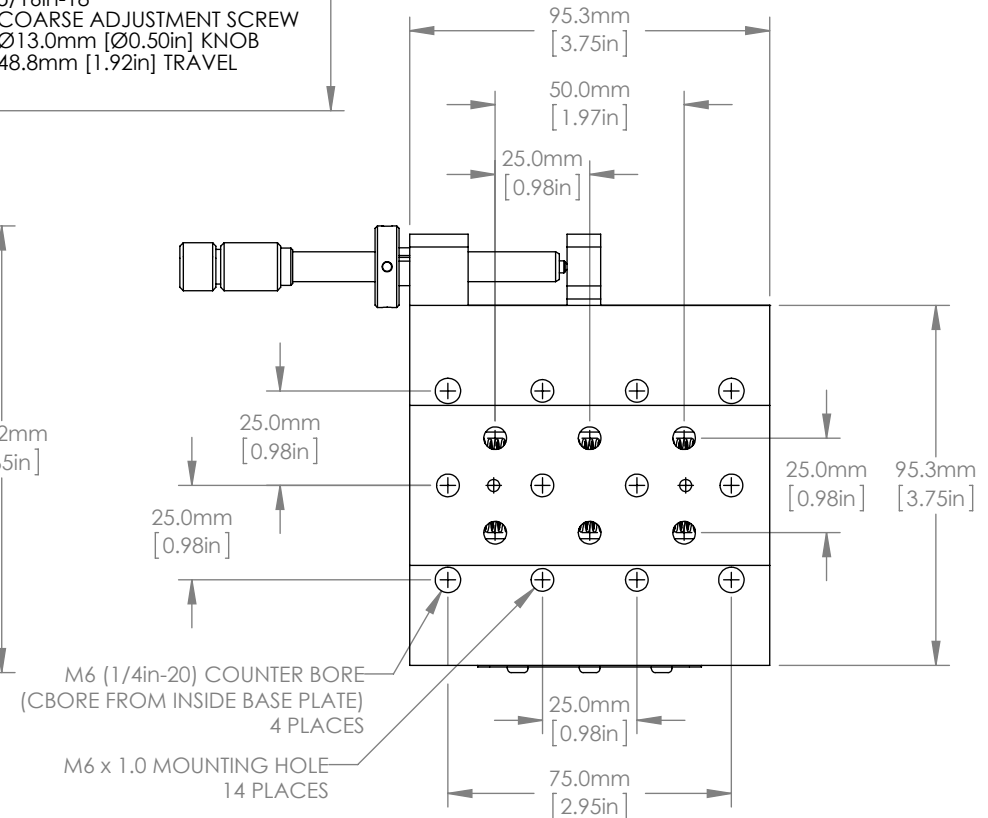
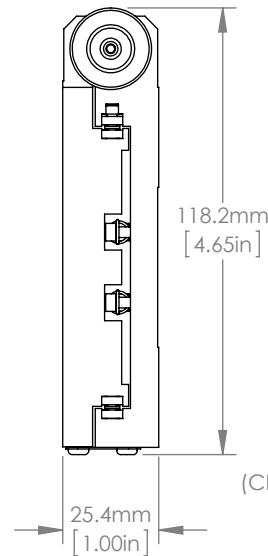
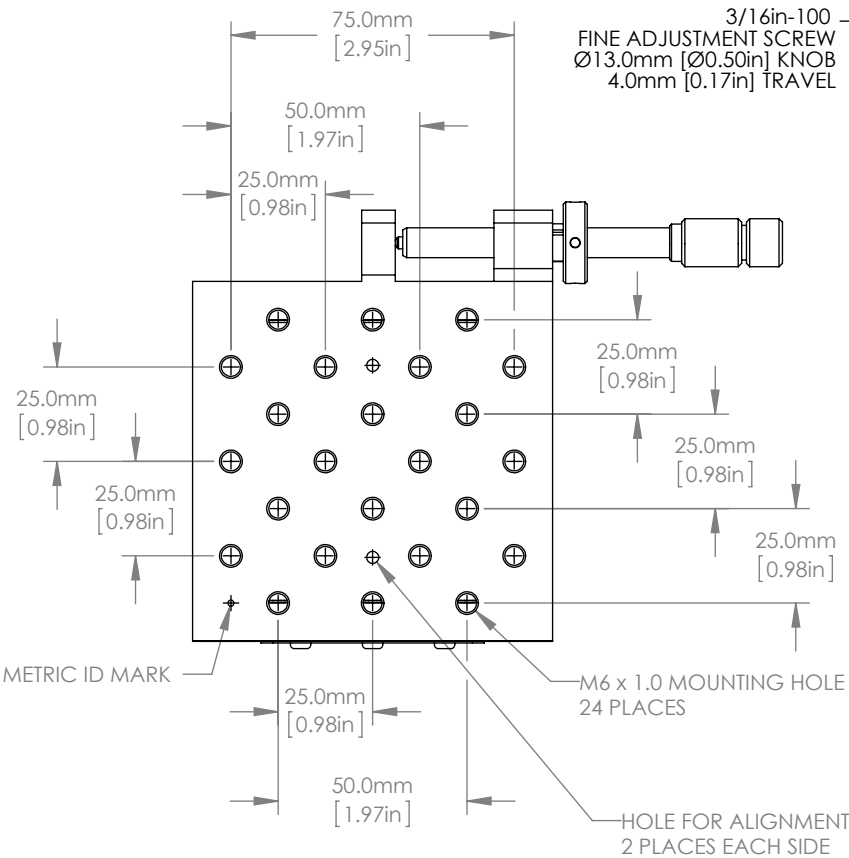
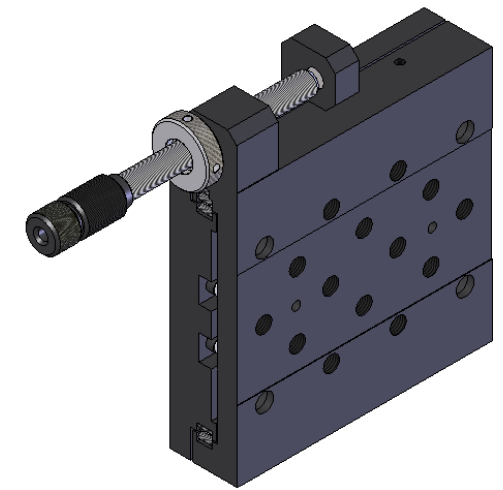
LOCKING NUT FOR
COARSE ADJUSTMENT SCREW



156.0mm
[6.14in]
NOMINAL

3/16in-100
FINE ADJUSTMENT SCREW
Ø13.0mm [Ø0.50in] KNOB
4.0mm [0.17in] TRAVEL

5/16in-18
COARSE ADJUSTMENT SCREW
Ø13.0mm [Ø0.50in] KNOB
48.8mm [1.92in] TRAVEL



FOR INFORMATION ONLY
NOT FOR MANUFACTURING PURPOSES

DRAWING PROJECTION

	NAME	DATE
DRAWN	AK	25/NOV/13
APPROVAL	TQ	12/DEC/13

COPYRIGHT © 2013 BY THORLABS
VALUES IN PARENTHESIS ARE CALCULATED
AND MAY CONTAIN ROUND OFF ERRORS

THORLABS
www.thorlabs.com

SINGLE AXIS TRANSLATION STAGE, 50mm		
MATERIAL	N/A	REV F
ITEM #	LT1/M	APPROX WEIGHT 0.90 kg