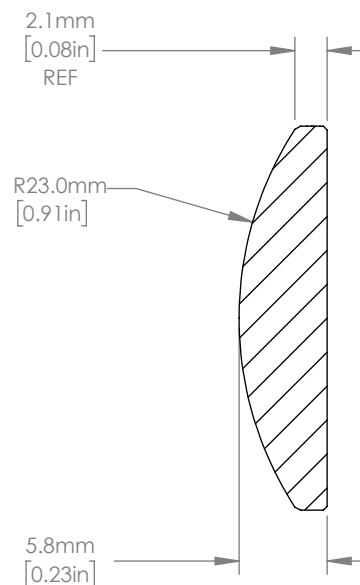
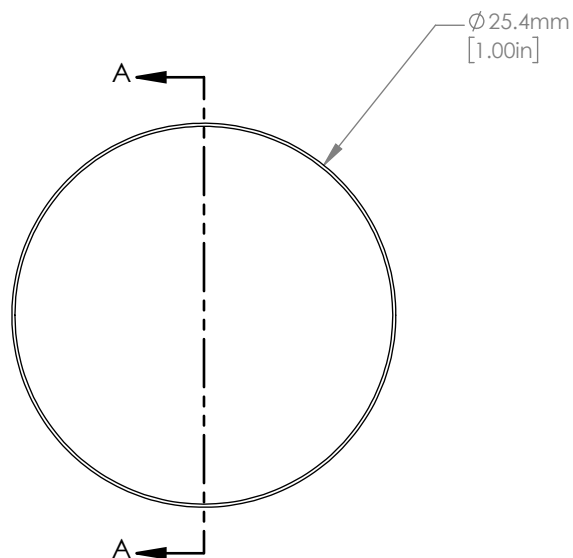


ISOMETRIC VIEW  
SCALE: 2:1



SECTION A-A

NOTES/SPECIFICATIONS:

1. DESIGN WAVELENGTH: 587.6 nm
2. FOCAL LENGTH:  $f=50.2\text{ mm} \pm 1\%$
3. BACK FOCAL LENGTH(REF):  $bf=46.2\text{ mm}$
4. CLEAR APERTURE:  $> \phi 22.86\text{ mm}$
5. SURFACE QUALITY: 20-10 SCRATCH-DIG
6. CENTRATION:  $< 3\text{arcmin}$
7. DIAMETER TOLERANCE:  $+0.0/-0.1\text{ mm}$
8. THICKNESS TOLERANCE:  $\pm 0.1\text{ mm}$
9. COATING: VAR R $<0.25\%$  PER SURFACE FOR 1064 nm, AOI:  $0^\circ$

FOR INFORMATION ONLY  
NOT FOR MANUFACTURING PURPOSES

DRAWING PROJECTION			<b>THORLABS</b> <a href="http://www.thorlabs.com">www.thorlabs.com</a>	
	NAME	DATE		
DRAWN	YB	01/MAY/20	$\phi 25.4\text{ mm } f=50\text{ mm}$ FUSED SILICA PLANO CONVEX LENS, -1064 nm COAT	
APPROVAL	DM	01/MAY/20	MATERIAL	REV
COPYRIGHT © 2020 BY THORLABS VALUES IN PARENTHESIS ARE CALCULATED AND MAY CONTAIN ROUND OFF ERRORS			UV FUSED SILICA	A
			ITEM #	APPROX WEIGHT
			LA4148-1064	4.42 g