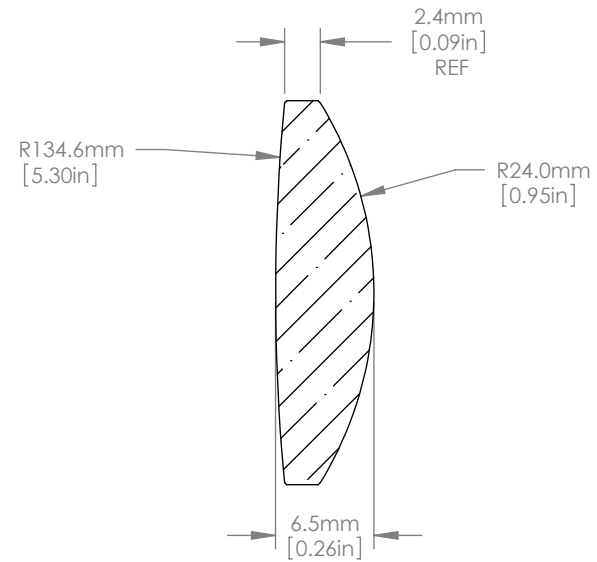
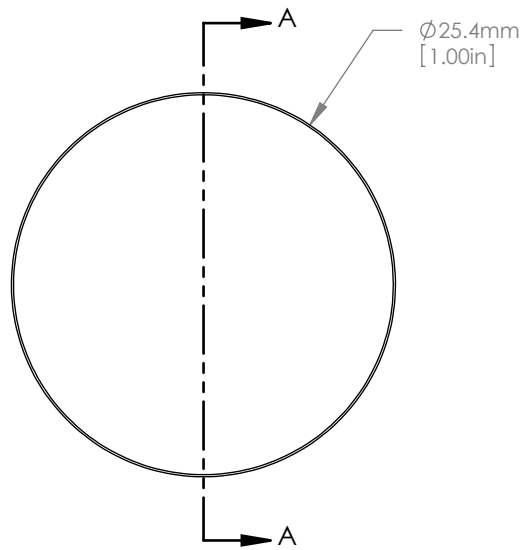




SCALE 1:1



NOTES/SPECIFICATIONS:

1. DESIGN WAVELENGTH: 587.6nm
2. FOCAL LENGTH: 40.0mm±1%
3. BACK FOCAL LENGTH (REF): 36.3mm
4. CLEAR APERTURE: ≥90% OF DIAMETER
5. SURFACE QUALITY: 20-10 SCRATCH-DIG
6. CENTRATION: <3arcmin
7. DIAMETER TOLERANCE: +0.0/-0.1mm
8. THICKNESS TOLERANCE: ±0.1mm
9. COATING: BBAR Ravg <0.5% FROM 1050-1700nm, 0° AOI, ON OUTER OPTICAL SURFACES
10. DIFFRACTION LIMITED DIAMETER @632.8nm: 5.0mm
11. DIFFRACTION LIMITED DIAMETER @1064nm: 6.0mm

FOR INFORMATION ONLY
NOT FOR MANUFACTURING PURPOSES

DRAWING PROJECTION			THORLABS www.thorlabs.com BEST FORM LENS, Ø 25.4mm f=40mm, C COATED		
DRAWN	GG	DATE			01/JAN/11
APPROVAL	DD	DATE	15/DEC/15	MATERIAL	
COPYRIGHT © 2015 BY THORLABS				N-BK7	REV E
VALUES IN PARENTHESIS ARE CALCULATED AND MAY CONTAIN ROUND OFF ERRORS				ITEM #	APPROX WEIGHT
				LBF254-040-C	0.02 kg