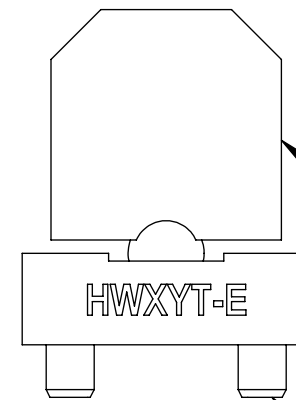
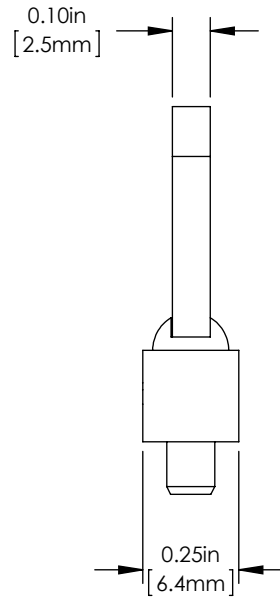
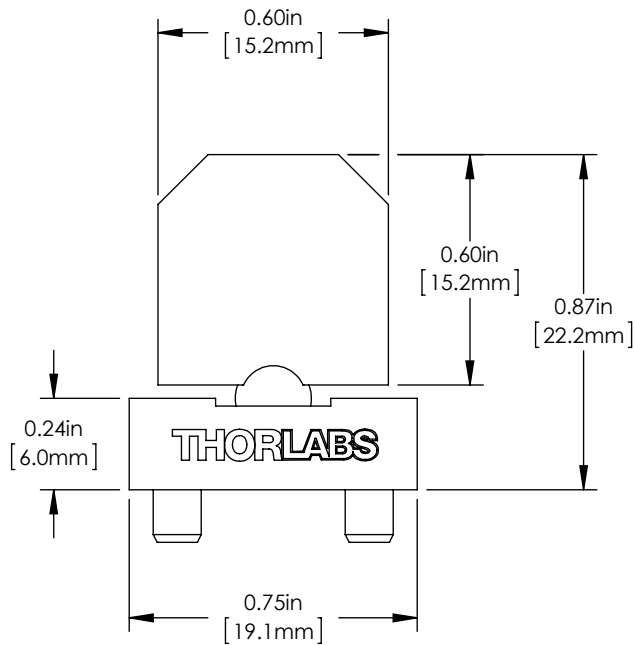


ISOMETRIC VIEW
SCALE 2:1



ADJUSTABLE PLATE FOR BEAM STEERING
AR COATING RANGE: 2.0µm - 5.0µm

DOWEL PINS ON 1/2" CENTERS
FOR MOUNTING INTO FIBERTABLE
2 PLACES

TWEAKER PLATE NOTES/SPECIFICATIONS:

1. MATERIAL: VACUUM GRADE CaF2 PER MIL-G-174B
2. PARALLELISM: ≤ 30 arcsec
3. THICKNESS TOLERANCE: $+0.0 / -0.2$ mm
4. SURFACE QUALITY: 40-20 SCRATCH-DIG
5. SURFACE FLATNESS: $< \lambda/8$ AT 632.8nm OVER CLEAR APERTURE
6. CLEAR APERTURE: $>90\%$ OF AREA
7. COATING(S1 & S2): BBAR Ravg $< 1.25\%$ FROM 2.0-5.0µm, 0° AOI

FOR INFORMATION ONLY
NOT FOR MANUFACTURING PURPOSES

DRAWING PROJECTION			 www.thorlabs.com FIBERBENCH TWEAKER MODULE AR COATING RANGE: 2.0µm-5.0µm	
NAME	DATE			
DRAWN	PH	10/10/2014	MATERIAL	
APPROVAL	KAH	10/13/2014		
COPYRIGHT © 2014 BY THORLABS			N/A	
VALUES IN PARENTHESIS ARE CALCULATED AND MAY CONTAIN ROUND OFF ERRORS			ITEM #	APPROX WEIGHT
			HWXYT-E	0.025 kg
			REV	A