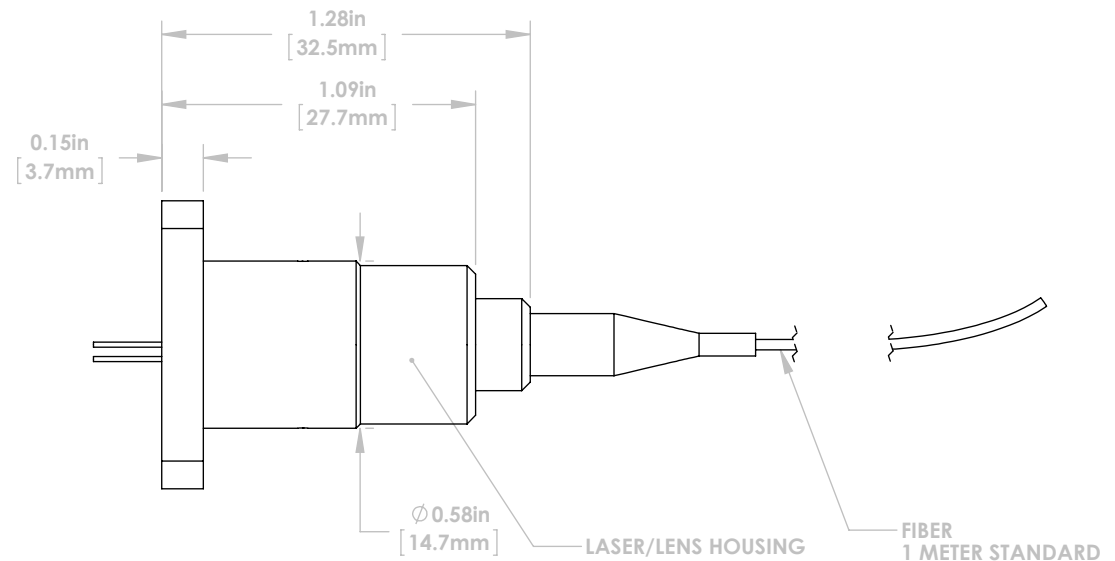
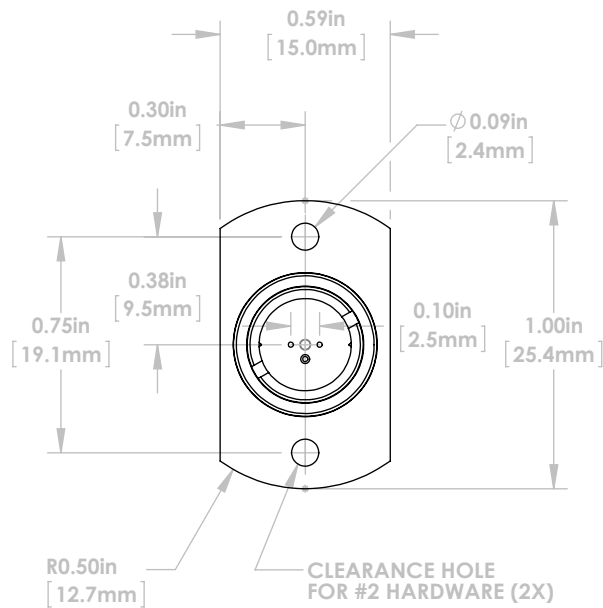
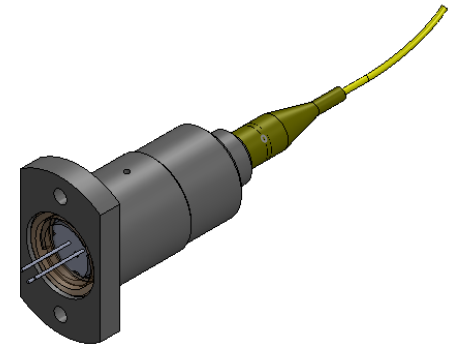


Item	Typ. Power	Pin Code
LP450-SF15	15mW	9E
LP520-SF15	15mW	9E
LPS-635-FC	2.5mW	9A
LPS-PM635-FC	2.5mW	9A
LPM-635-SMA	7.5mW	9A
LPS-675-FC	2.5mW	9A
LP785-SF100	100mW	9H

Item	Typ. Power	Pin Code
LP808-SA40	40mW	9A
LP830-SF30	30mW	9A
LP852-SF30	30mW	9A
LP915-SF40	40mW	9A
LP940-SF30	30mW	9A
LP980-SA80	80mW	9A
LPS-1060-FC	50mW	9A



**FOR INFORMATION ONLY
NOT FOR MANUFACTURING PURPOSES**

DRAWING PROJECTION

	NAME	DATE
DRAWN	JS	16/MAY/14
APPROVAL	YH	16/MAY/14

COPYRIGHT © 2014 BY THORLABS

VALUES IN PARENTHESIS ARE CALCULATED AND MAY CONTAIN ROUND OFF ERRORS

THORLABS
www.thorlabs.com

PIGTAILED LASER WITH 9MM DIODE

MATERIAL	REV
N/A	F

ITEM #	APPROX WEIGHT
SEE TABLE	0.13 kg