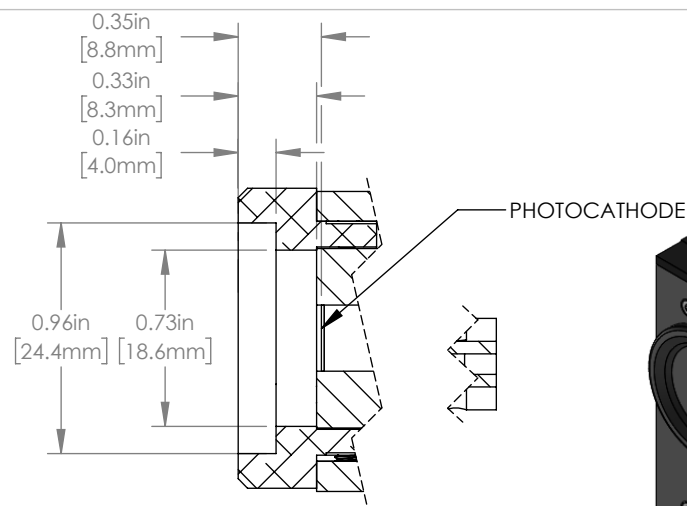
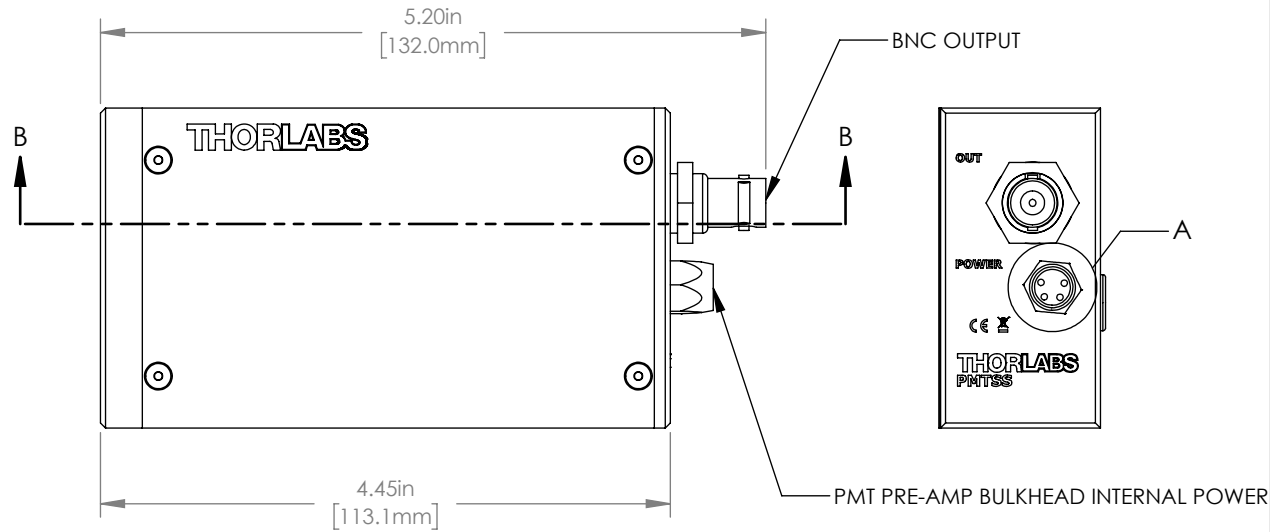
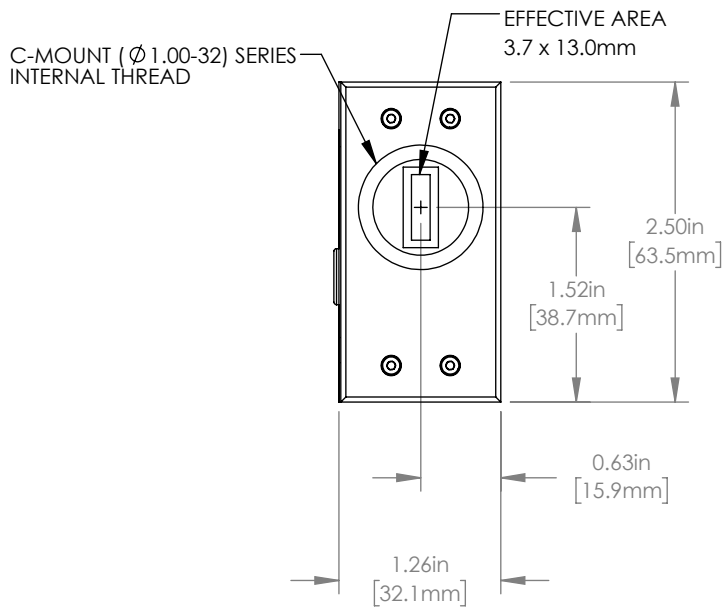


DETAIL A
SCALE 2.5 : 1

PIN	DESCRIPTION
1	V+ POWER SUPPLY INPUT
2	V CONTROL (0.25V TO 1.2V)
3	NO CONNECT
4	GND POWER SUPPLY RETURN



SECTION B-B
SCALE 1.25 : 1

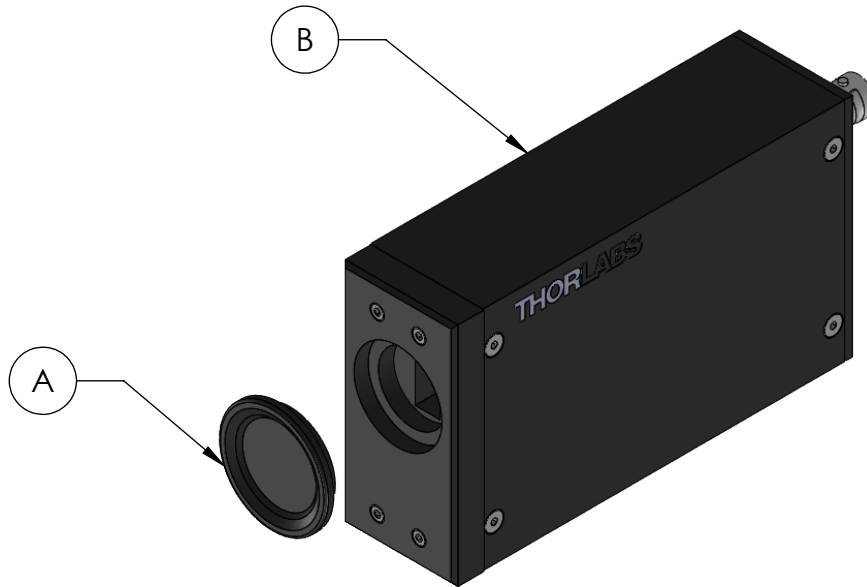


FOR INFORMATION ONLY
NOT FOR MANUFACTURING PURPOSES

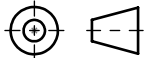

DRAWING PROJECTION			THORLABS www.thorlabs.com	
NAME	DATE	SINGLE-CHANNEL PMT MODULE		
DRAWN TB	28/JAN/16	MATERIAL	N/A	REV B
APPROVAL PN	28/JAN/16	ITEM #	PMTSS	APPROX WEIGHT 0.3 kg
COPYRIGHT © 2016 BY THORLABS				
VALUES IN PARENTHESIS ARE CALCULATED AND MAY CONTAIN ROUND OFF ERRORS				

COMPONENT TABLE

(A)	C-MOUNT BODY CAP
(B)	PMTSS



FOR INFORMATION ONLY
NOT FOR MANUFACTURING PURPOSES

DRAWING PROJECTION					 www.thorlabs.com	
	NAME	DATE	SINGLE-CHANNEL PMT MODULE			
DRAWN	TB	28/JAN/16	MATERIAL			
APPROVAL	PN	28/JAN/16	N/A			REV B
COPYRIGHT © 2016 BY THORLABS			ITEM #	APPROX WEIGHT		
VALUES IN PARENTHESIS ARE CALCULATED AND MAY CONTAIN ROUND OFF ERRORS			PMTSS	0.3 kg		