



The most **Ergonomic & Powerful** UV LED curing cabinet

Homogeneity
More than 90%

Reliable and repeatable curing

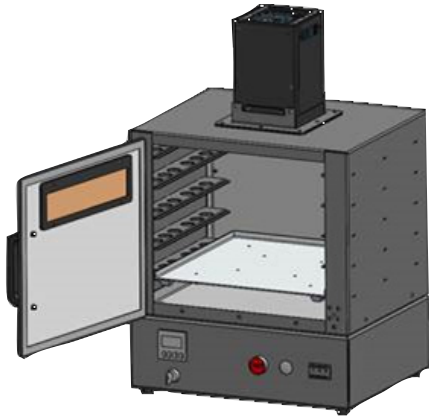
Easy-to-use
Plug&Play solution

Simple interface system

Wavelength
365, 385, 395 or 405 nm

Wide range of UV curing applications supported

Different timer, power and working distances



The **UV CHAMBER™** is the most ergonomic UV LED system. To control the time of the UV exposure and the power of the irradiance has never been easier!

You can choose between different set up for your sample depending on where you place the tray.

Thanks to the design and the technology included in the **UV CHAMBER™**, you will have an homogeneous irradiance and an efficient UV curing whatever the position of the tray.

The dimensions of the tray are 300 x 300 mm. The different positions available for the tray are 5 / 10 / 15 / 20 / 25 centimeters from the emitting window of the UV LED lamp.

Additional features

Thanks to a digital controller the UV light power can be fixed between 20% and 100% the exposure time can also be defined between 1 sec and 100 min.

An intelligent security system between the lamp and the door avoids unwanted UV light exposure by cutting off the illumination if the door is open.

Thanks to the security window, you will be able to see without any risks the interior of the **UV CHAMBER™** during exposure.

Examples of applications



UV tests for chemical formulations and UV bonding for medical assemblies.

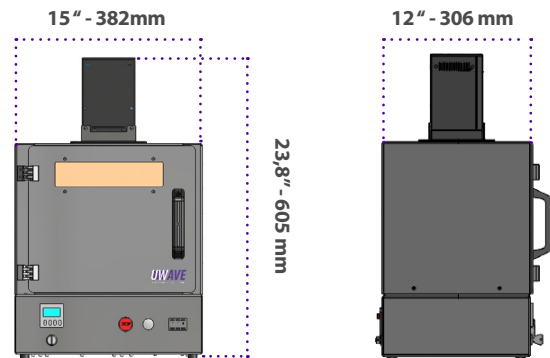


Semi automated UV curing for the cosmetic industry.



Assembly of components in the opto-electronic industry.

Dimensions



Advantages of UV LED Technology

The **UV CHAMBER™** can be switched ON and OFF as often as necessary and has much higher output power stability than other technologies.

UV LEDs do not emit infrared radiation, thus heat sensitive materials can be processed. UV LEDs are eco-friendly as they do not create ozone, do not contain mercury and only need a few watts to operate.



Technical Information

Max Irradiance	1000 mW/cm ²	250 mW/cm ²
Wavelengths	365 nm, 385 nm, 395 nm, 405 nm	
Electrical Power Input	~ 400W	~ 100W
Main Supply	100-240V AC	
Weight	18 kg	
Interior Dimensions	300mm x 300mm x 300mm	
Part Number	UVCHAMBER-XXX-100	UVCHAMBER-XXX-025

XXX = Wavelength in nm



For more information:
 contact@uwave.fr
 Tel : +33 (0)9 72 52 70 02
 Fax : +33 (0)9 72 11 21 69

UWAVE
 10 Avenue de Norvège
 Parc des Erables - Bâtiment A3
 91940 Villebon-sur-Yvette
 FRANCE

To learn more about our UV curing solutions please visit
www.uwave-uv.com