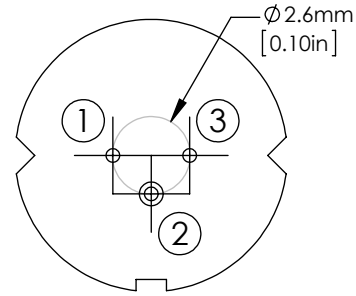
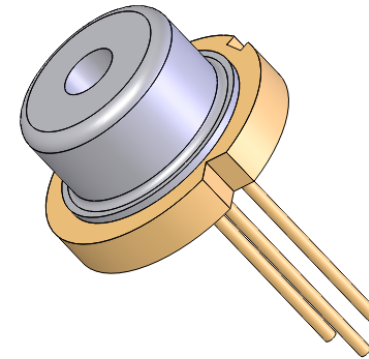
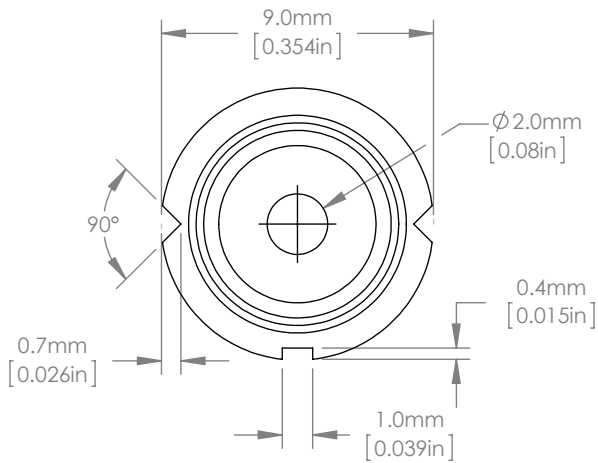
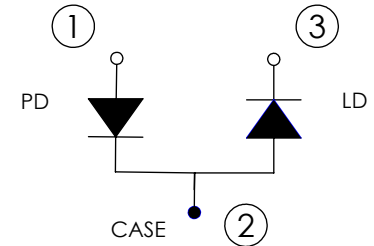



Rear View



PIN Code A



FOR INFORMATION ONLY
NOT FOR MANUFACTURING PURPOSES

DRAWING PROJECTION			 www.thorlabs.com	
	NAME	DATE		
DRAWN	YH	30/SEP/14	HL6320G LASER DIODE	
APPROVAL	MY	30/SEP/14	MATERIAL	N/A
COPYRIGHT © 2014 BY THORLABS			ITEM #	APPROX WEIGHT
VALUES IN PARENTHESIS ARE CALCULATED AND MAY CONTAIN ROUND OFF ERRORS			HL6320G	0.56g
			REV	A