

WARNING

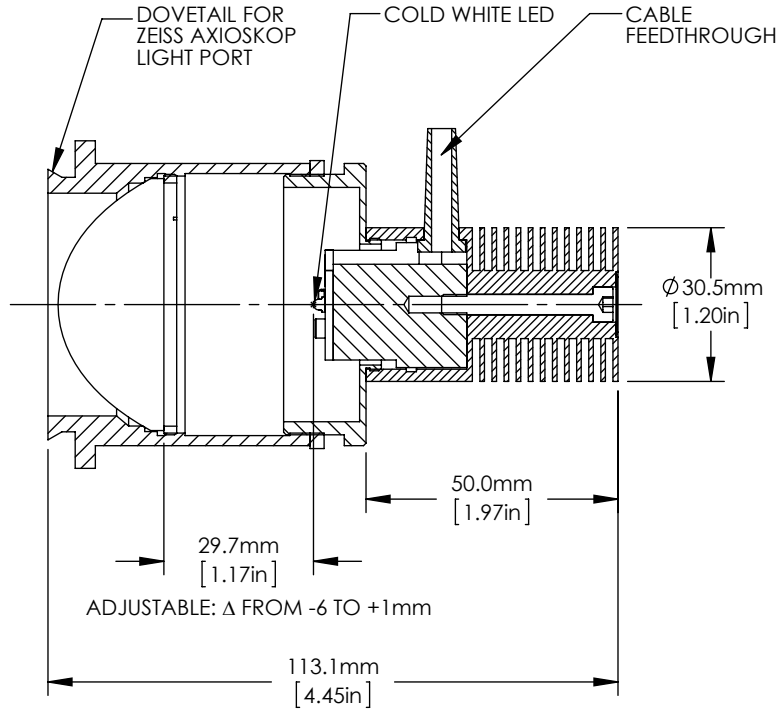
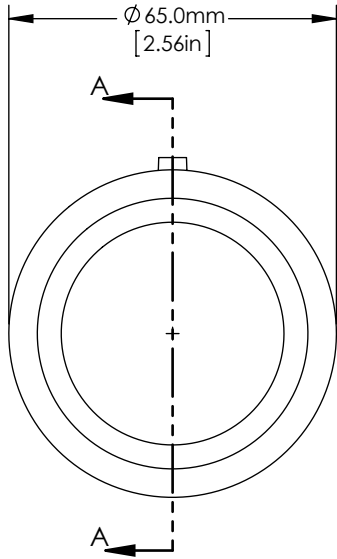
UV LEDs

UV emitted from this product. Avoid eye and skin exposure to unshielded products.

VIS LEDs

Possibly hazardous optical radiation emitted from this product. Do not look at operating lamp. Eye injury may result.

SECTION A-A



Item #	Color	Correlated Color Temperature*	Chip Size	Minimum Power LED Output	Typical Power LED Output	Total Beam Power	Beam Diameter	Beam Area	Maximum Drive Current (CW)	Forward Voltage	Electrical Power	Typical Lifetime	Risk Group According to the IEC Standard 62471:2006**
MCWHL5-C4	Cold White	6500 K	1 mm x 1 mm	800 mW	840 mW	380 mW	44 mm	1520 mm ²	1000 mA	3.2 V	3200 mW	100 000 h	RG2 - MODERATE RISK GROUP

* The specifications listed in the table above are nominal values.
 ** Photobiological Safety of Lamps and Lamp Systems

FOR INFORMATION ONLY
 NOT FOR MANUFACTURING PURPOSES

DRAWING PROJECTION			THORLABS www.thorlabs.com	
NAME	DATE	COLLIMATED COLD WHITE LED FOR ZEISS AXIOSKOPE MICROSCOPES		
DRAWN	Hit.	12/NOV/15	MATERIAL	
APPROVAL	KB	12/NOV/15	N/A	
COPYRIGHT © 2015 BY THORLABS			ITEM #	APPROX WEIGHT
VALUES IN PARENTHESIS ARE CALCULATED AND MAY CONTAIN ROUND OFF ERRORS			MCWHL5-C4	0.29 kg