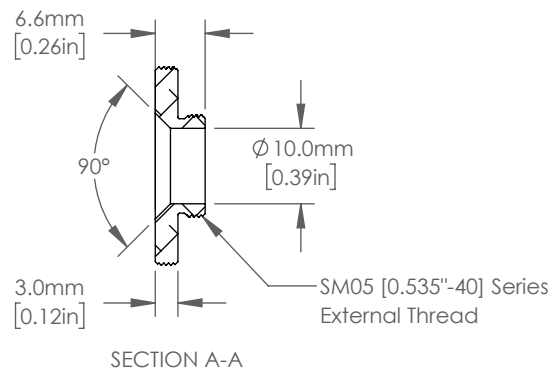
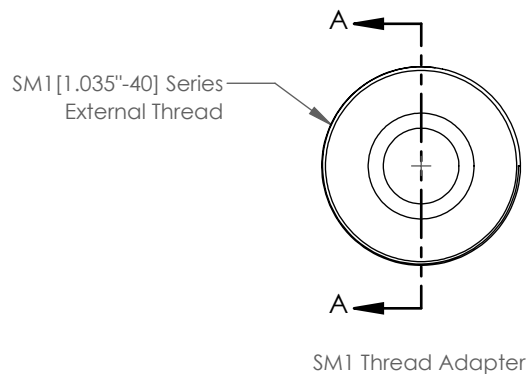


CONNECTOR PIN DIAGRAM

2	EEPROM DATA
3	SENSOR & NTC GROUND
6	EEPROM GROUND
7	NTC
8	SENSOR SIGNAL
1,4,5,9	N.C.



FOR INFORMATION ONLY
NOT FOR MANUFACTURING PURPOSES

DRAWING PROJECTION					THORLABS www.thorlabs.com	
DRAWN		GO	DATE		THERMAL POWER HEAD	
APPROVAL		MG	02/JAN/18		MATERIAL	
COPYRIGHT © 2017 BY THORLABS						
VALUES IN PARENTHESIS ARE CALCULATED AND MAY CONTAIN ROUND OFF ERRORS		ITEM #		APPROX WEIGHT		REV
		S405C		N/A		A
				0.11 kg		