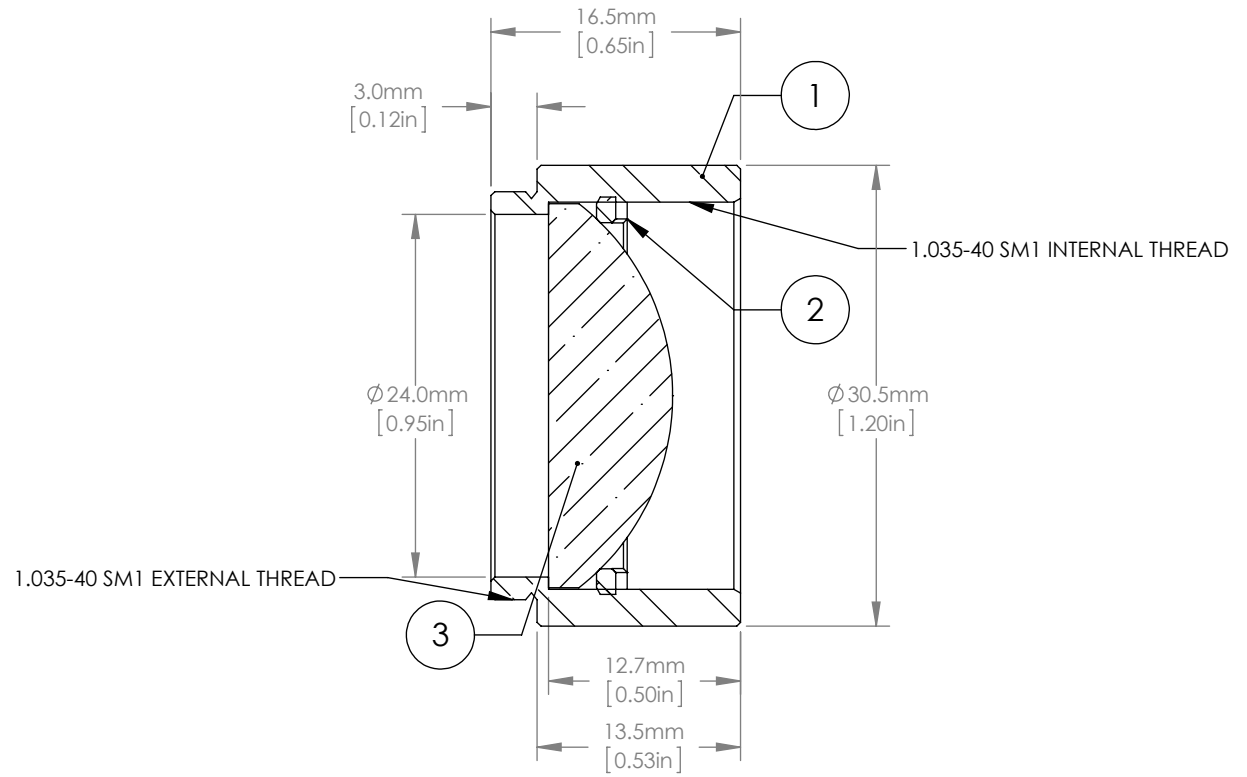
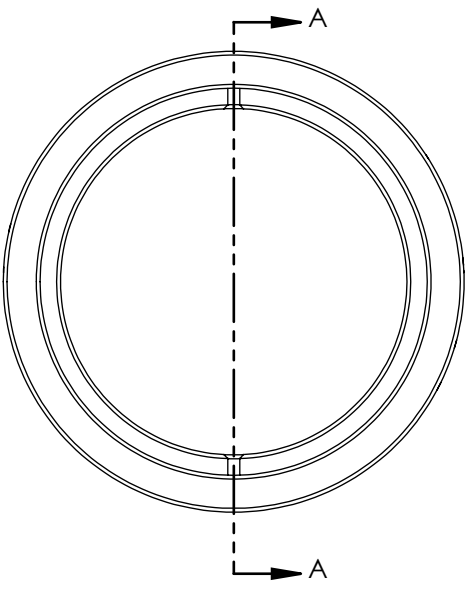


	PART DESCRIPTION	MATERIAL
①	ENGRAVED SM1L05	ANODIZED ALUMINUM
②	SM1RR	ANODIZED ALUMINUM
③	LA4052	UV FUSED SILICA



- NOTES/SPECIFICATIONS:
- DESIGN WAVELENGTH: 587.6nm
 - FOCAL LENGTH: $f=35.0\text{mm} \pm 1\%$
 - WORKING DISTANCE: 25.6mm
 - CLEAR APERTURE: >90% OF LENS DIAMETER
 - SURFACE QUALITY: 40-20 SCRATCH-DIG

FOR INFORMATION ONLY
NOT FOR MANUFACTURING PURPOSES

SECTION A-A
SCALE 2:1

DRAWING PROJECTION			 www.thorlabs.com f = 35.0 mm, Ø1", SM1- THREADED MOUNT, PLANO-CONVEX LENS	
NAME	DATE			
DRAWN	CR	27/JUN/12	MATERIAL SEE TABLE	
APPROVAL	WD	13/JUL/12		
COPYRIGHT © 2012 BY THORLABS VALUES IN PARENTHESIS ARE CALCULATED AND MAY CONTAIN ROUND OFF ERRORS			ITEM # LA4052-ML	APPROX WEIGHT 0.041 kg