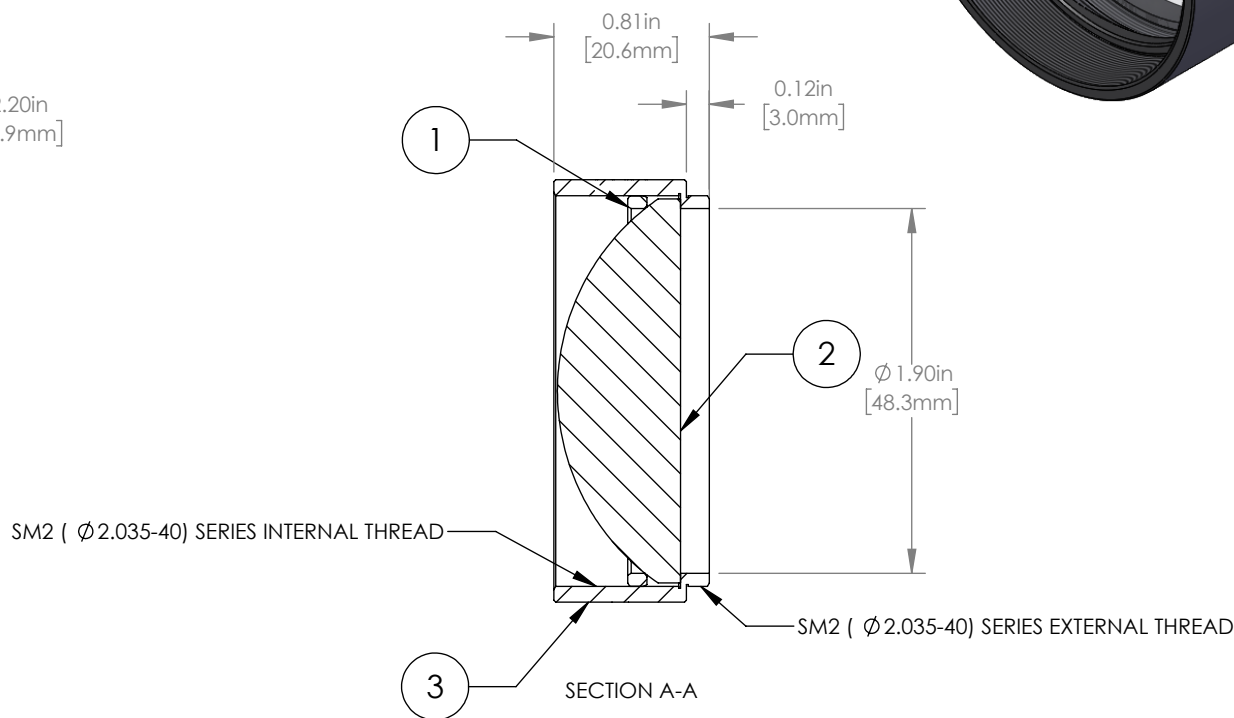
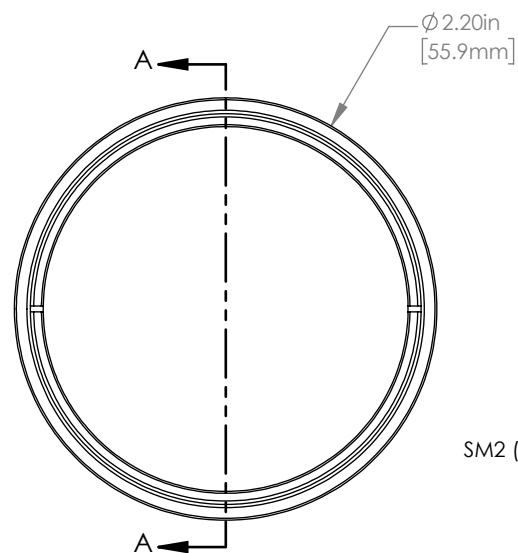


	PART DESCRIPTION	MATERIAL
①	SM2RR	ANODIZED ALUMINUM
②	LA1401-C	N-BK7
③	ENGRAVED HOUSING	ANODIZED ALUMINUM



NOTES/SPECIFICATIONS:

- DESIGN WAVELENGTH: 587.6 nm
- FOCAL LENGTH: $f=59.8 \text{ mm} \pm 1\%$
- WORKING DISTANCE (REF): 45.3 mm
- CLEAR APERTURE: $\text{Ø} 45.7 \text{ mm}$
- SURFACE QUALITY: 40-20 SCRATCH-DIG
- COATING: BBAR $R_{\text{avg}} < 0.5\%$ FROM 1050-1700 nm, 0° AOI, ON BOTH OPTICAL SURFACES

FOR INFORMATION ONLY
NOT FOR MANUFACTURING PURPOSES

DRAWING PROJECTION		THORLABS www.thorlabs.com	
	NAME	DATE	MOUNTED $\text{Ø} 2'' f=60 \text{ mm}$
DRAWN	GG	20/JAN/20	PLANO CONVEX LENS, -C COATED
APPROVAL	DD	20/JAN/20	MATERIAL
COPYRIGHT © 2020 BY THORLABS			SEE TABLE
VALUES IN PARENTHESIS ARE CALCULATED AND MAY CONTAIN ROUND OFF ERRORS			ITEM # LA1401-C-ML
			APPROX WEIGHT 73 g