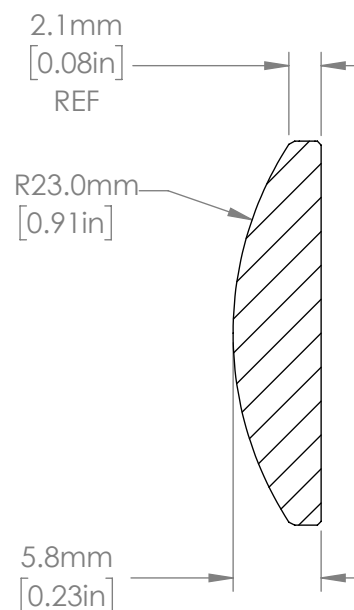
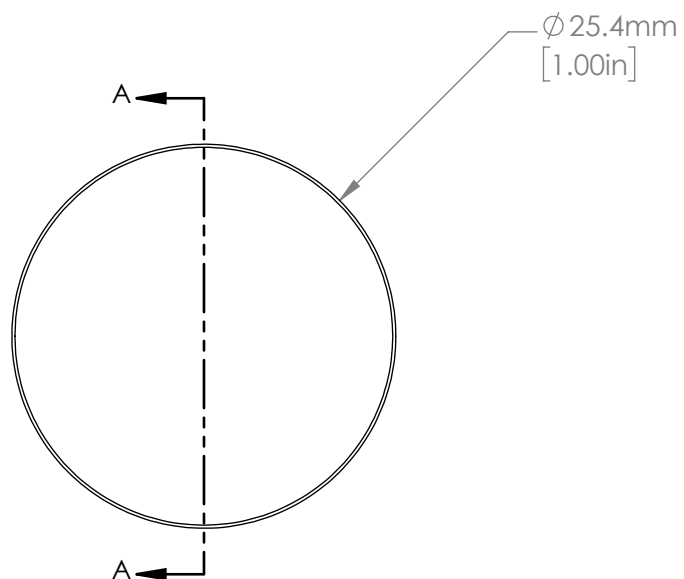


ISOMETRIC VIEW
SCALE: 2:1



SECTION A-A

NOTES/SPECIFICATIONS:

1. DESIGN WAVELENGTH: 587.6 nm
2. FOCAL LENGTH: $f=50.2 \text{ mm} \pm 1\%$
3. BACK FOCAL LENGTH(REF): $bf=46.2 \text{ mm}$
4. CLEAR APERTURE: $> \phi 22.86 \text{ mm}$
5. SURFACE QUALITY: 20-10 SCRATCH-DIG
6. CENTRATION: $< 3 \text{ arcmin}$
7. DIAMETER TOLERANCE: $+0.0/-0.1 \text{ mm}$
8. THICKNESS TOLERANCE: $\pm 0.1 \text{ mm}$
9. COATING: VAR R<0.25% PER SURFACE FOR 633 nm

FOR INFORMATION ONLY
NOT FOR MANUFACTURING PURPOSES

DRAWING PROJECTION			THORLABS www.thorlabs.com	
	NAME	DATE		
DRAWN	YB	26/NOV/19	ϕ 25.4 mm f=50 mm FUSED SILICA PLANO CONVEX LENS, -633 nm COAT	
APPROVAL	ST	11/DEC/19	MATERIAL	REV
COPYRIGHT © 2019 BY THORLABS <small>VALUES IN PARENTHESIS ARE CALCULATED AND MAY CONTAIN ROUND OFF ERRORS</small>			UV FUSED SILICA	A
			ITEM #	APPROX WEIGHT
			LA4148-633	4.42 g