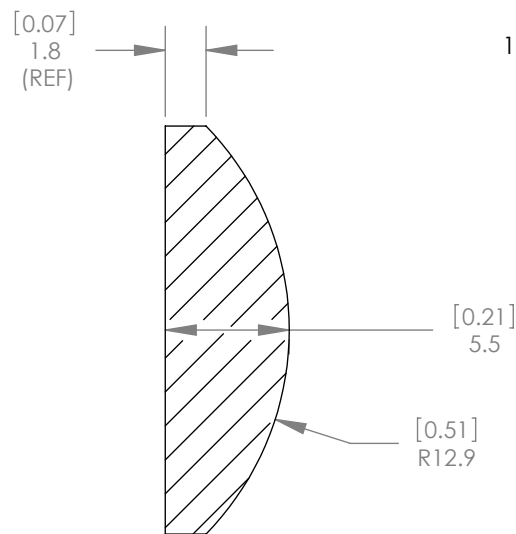
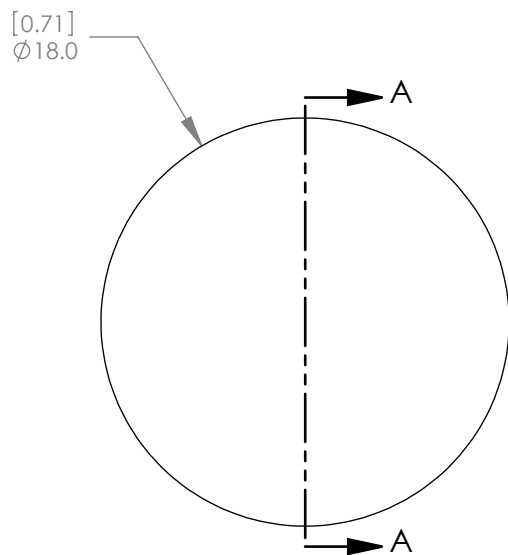




1:1 ISOMETRIC VIEW FOR REFERENCE ONLY



SECTION A-A

NOTES/SPECIFICATIONS:

1. DESIGN WAVELENGTH: 587.6nm
2. FOCAL LENGTH:  $f=24.9\text{mm} \pm 1\%$
3. BACK FOCAL LENGTH(REF):  $bf=21.3\text{mm}$
4. CLEAR APERTURE:  $>90\%$
5. SURFACE QUALITY: 40-20 SCRATCH-DIG
6. CENTRATION:  $<3\text{arcmin}$
7. DIAMETER TOLERANCE:  $+0.0/-0.1\text{mm}$
8. THICKNESS TOLERANCE:  $\pm 0.1\text{mm}$

ALL DIMENSIONS ARE IN THE FORM  $\frac{\text{[in]}}{\text{mm}}$   
 THIS DRAWING IS FOR INFORMATION ONLY  
 NOT INTENDED FOR MANUFACTURING

**THORLABS INC.** PO BOX 366  
 NEWTON NJ

TITLE: D=18.0 F=25.0 N-BK7 PLANO  
 CONVEX LENS

MATERIAL: N-BK7 SIZE A REV. B

SCALE: 3:1 SHEET 1 OF 1

DWG. NO. 3242-E01 PART NO. LA1270

	NAME	DATE
DRAWN	WD	11/19/2009
ENG APPR.	BW	11/24/2009
MFG APPR.	DD	12/09/2009

**PROPRIETARY AND CONFIDENTIAL**

THE INFORMATION CONTAINED IN THIS DRAWING IS THE SOLE PROPERTY OF THORLABS, INC. ANY REPRODUCTION IN PART OR AS A WHOLE WITHOUT THE WRITTEN PERMISSION OF THORLABS, INC. IS PROHIBITED.